

**+NOTICE!!**

**These documents have been scanned!**

**Do not place un-scanned documents beneath this notice!**

**Do not remove this notice from this file!**

GPO Jacket No. 560-102  
Print Order 61540  
Rise Business Services, LLC  
Job=AZ15 9/11/2019



Box Number= AZ15234



Claim Begin-End: AMC451342-AMC451384

**1 Initial Receipt**



AZ15234-5

AMC448147-AMC457012

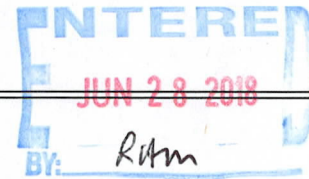


**United States Department of the Interior**  
**Bureau of Land Management**  
 DIV OF LANDS, MINRLS & ENERGY  
 ONE N CENTRAL AVE  
 PHOENIX, AZ 85004 -4427  
 Phone: 602-417-9200

Receipt

No: 4194619

<b>Transaction #:</b> 4309393	
<b>Date of Transaction:</b> 06/21/2018	
CUSTOMER:	
	NICHOLAS BARR 5441 E MINING CAMP ST APACHE JUNCTION, AZ 85119-9577 US



LINE #	QTY	DESCRIPTION	REMARKS	UNIT PRICE	TOTAL
1	43.00	LOCATABLE MINERALS / MINING CLAIMS- NEW, UNADJUD, ONE OR MORE AUTH NOS / NEW MINING CLAIM PROCESSING FEE CASES: AMC451342/\$20.00, AMC451343/\$20.00, AMC451344/\$20.00, AMC451345/\$20.00, AMC451346/\$20.00, AMC451347/\$20.00, AMC451348/\$20.00, AMC451349/\$20.00, AMC451350/\$20.00, AMC451351/\$20.00, AMC451352/\$20.00, AMC451353/\$20.00, AMC451354/\$20.00, AMC451355/\$20.00, AMC451356/\$20.00, AMC451357/\$20.00, AMC451358/\$20.00, AMC451359/\$20.00, AMC451360/\$20.00, AMC451361/\$20.00, AMC451362/\$20.00, AMC451363/\$20.00, AMC451364/\$20.00, AMC451365/\$20.00, AMC451366/\$20.00, AMC451367/\$20.00, AMC451368/\$20.00, AMC451369/\$20.00, AMC451370/\$20.00, AMC451371/\$20.00, AMC451372/\$20.00, AMC451373/\$20.00, AMC451374/\$20.00, AMC451375/\$20.00, AMC451376/\$20.00, AMC451377/\$20.00, AMC451378/\$20.00, AMC451379/\$20.00, AMC451380/\$20.00, AMC451381/\$20.00, AMC451382/\$20.00, AMC451383/\$20.00, AMC451384/\$20.00		- n/a -	860.00
		LOCATABLE MINERALS / MINING CLAIMS- NEW, UNADJUD, ONE OR MORE AUTH NOS / NEW MINING CLAIMS LOCATION FEE CASES: AMC451342/\$37.00, AMC451343/\$37.00, AMC451344/\$37.00, AMC451345/\$37.00, AMC451346/\$37.00, AMC451347/\$37.00,			

2	43.00	AMC451348/\$37.00, AMC451349/\$37.00, AMC451350/\$37.00, AMC451351/\$37.00, AMC451352/\$37.00, AMC451353/\$37.00, AMC451354/\$37.00, AMC451355/\$37.00, AMC451356/\$37.00, AMC451357/\$37.00, AMC451358/\$37.00, AMC451359/\$37.00, AMC451360/\$37.00, AMC451361/\$37.00, AMC451362/\$37.00, AMC451363/\$37.00, AMC451364/\$37.00, AMC451365/\$37.00, AMC451366/\$37.00, AMC451367/\$37.00, AMC451368/\$37.00, AMC451369/\$37.00, AMC451370/\$37.00, AMC451371/\$37.00, AMC451372/\$37.00, AMC451373/\$37.00, AMC451374/\$37.00, AMC451375/\$37.00, AMC451376/\$37.00, AMC451377/\$37.00, AMC451378/\$37.00, AMC451379/\$37.00, AMC451380/\$37.00, AMC451381/\$37.00, AMC451382/\$37.00, AMC451383/\$37.00, AMC451384/\$37.00		- n/a -	1591.00
3	43.00	LOCATABLE MINERALS / MINING CLAIMS- NEW, UNADJUD, ONE OR MORE AUTH NOS / NEW MINING CLAIMS MAINTENANCE FEE <b>CASES:</b> AMC451342/\$155.00, AMC451343/\$155.00, AMC451344/\$155.00, AMC451345/\$155.00, AMC451346/\$155.00, AMC451347/\$155.00, AMC451348/\$155.00, AMC451349/\$155.00, AMC451350/\$155.00, AMC451351/\$155.00, AMC451352/\$155.00, AMC451353/\$155.00, AMC451354/\$155.00, AMC451355/\$155.00, AMC451356/\$155.00, AMC451357/\$155.00, AMC451358/\$155.00, AMC451359/\$155.00, AMC451360/\$155.00, AMC451361/\$155.00, AMC451362/\$155.00, AMC451363/\$155.00, AMC451364/\$155.00, AMC451365/\$155.00, AMC451366/\$155.00, AMC451367/\$155.00, AMC451368/\$155.00, AMC451369/\$155.00, AMC451370/\$155.00, AMC451371/\$155.00, AMC451372/\$155.00, AMC451373/\$155.00, AMC451374/\$155.00, AMC451375/\$155.00, AMC451376/\$155.00, AMC451377/\$155.00, AMC451378/\$155.00, AMC451379/\$155.00, AMC451380/\$155.00, AMC451381/\$155.00, AMC451382/\$155.00, AMC451383/\$155.00, AMC451384/\$155.00		- n/a -	6665.00
4	1.00	OVERPAYMENT / OVERPAYMENT OF FEES / OVERPAYMENT OF \$1.00 OR MORE		212.00	212.00
<b>TOTAL:</b>					<b>\$9,328.00</b>

PAYMENT INFORMATION

1	AMOUNT:	9328.00	POSTMARKED:	N/A
	TYPE:	CHECK	RECEIVED:	06/21/2018
	CHECK NO:	0053904140		
	NAME:	BARR, NICHOLAS 5441 E MINING CAMP ST APACHE JUNCTION AZ 85119-9577 US		

<b>REMARKS</b>
EN# 109 IS MISSING

This receipt was generated by the automated BLM Collections and Billing System and is a paper representation of a portion of the official electronic record contained therein.



**NOTICE!!**

**These documents have been scanned!**

**Do not place un-scanned documents beneath this notice!**

**Do not remove this notice from this file!**

GPO Jacket No. 560-102  
Print Order 61540  
Rise Business Services, LLC  
Job=AZ15 9/11/2019



Box Number= AZ15234



Claim Begin-End: AMC451342-AMC451384

**2 Correspondence**



AZ15234-5

AMC448147-AMC457012



# United States Department of the Interior

BUREAU OF LAND MANAGEMENT

Arizona State Office

One North Central Avenue, Suite 800

Phoenix, Arizona 85004-4427

www.blm.gov/az/

MAR 3 1 2020



In Reply Refer To:

3800 (9200) RM

AMC451342

CERTIFIED MAIL - RETURN RECEIPT REQUESTED No. 9214 8901 9403 8310 0471 00

## DECISION

PERSHING RESOURCES CO INC  
200 S VIRGINIA ST FL 8  
RENO, NV 89501-2403

:  
:  
:

This Decision Affects the Claim(s)  
Shown in the Block Below.

---

AMC451378

EN #151

---

### No Rights Acquired on Portions of Lode Claim(s)

Pursuant to Title 43 Code of Federal Regulations 3832.1, this office received your notice(s) of location for recordation of mining claims. However, portions of the lode mining claim(s) listed above appear to lie within lands that are not open to location for the following reason:

The claim is located on land that is not open to location. The surface was reconveyed to the U.S. by document A-13128, dated July 28, 1987, but the subsurface was retained by the grantor.

Therefore, although the claim(s) has/have been recorded, you have acquired no rights on any portion of the subject mining claim(s) that lie within these lands. Enclosed for reference is a copy of the Master Title Plat.

If additional information is required, please contact RéAnn Myers at 602-417-9413. Please include your AMC serial number(s) on all correspondence.

Elena Fink  
Deputy State Director  
Lands, Minerals and Energy Division

Enclosure



---

USPS CERTIFIED MAIL

US Department of the Interior  
Bureau of Land Management  
1 N Central Ave Ste 800  
Phoenix, AZ 85004



920/RM  
AMC451342

9214 8901 9403 8310 0471 00

---

PERSHING RESOURCES  
FL 8  
200 S VIRGINIA ST  
RENO NV 89501-2403



Date Produced: 04/13/2020

ConnectSuite Inc.:

The following is the delivery information for Certified Mail™/RRE item number 9214 8901 9403 8310 0471 00. Our records indicate that this item was delivered on 04/06/2020 at 10:30 a.m. in RENO, NV 89501. The scanned image of the recipient information is provided below.

Signature of Recipient :

*J. Nicholson*  
*LFS*

Address of Recipient :

*0414*

Thank you for selecting the Postal Service for your mailing needs. If you require additional assistance, please contact your local post office or Postal Service representative.

Sincerely,  
United States Postal Service

The customer reference number shown below is not validated or endorsed by the United States Postal Service. It is solely for customer use.

Customer Reference Number: C2005794.11429934





# United States Department of the Interior

BUREAU OF LAND MANAGEMENT

Arizona State Office

One North Central Avenue, Suite 800

Phoenix, Arizona 85004-4427

[www.blm.gov/az/](http://www.blm.gov/az/)

MAR 26 2020



in Reply Refer To:  
3800 (9200) RM  
AMC451342

CERTIFIED MAIL - RETURN RECEIPT REQUESTED No. 9214 8901 9403 8309 9533 75

## DECISION

PERSHING RESOURCES CO INC  
200 S VIRGINIA ST FL 8  
RENO, NV 89501-2403

:  
:  
:

This Decision Affects the Claim(s)  
Shown in the Block Below.

---

AMC451379 - AMC451384  
EN #152 - EN #157

---

### Mining Claim(s) Declared Null and Void

Pursuant to Title 43 Code of Federal Regulations (CFR) 3832.1, this office received your notice(s) of location for recording mining claims. In accordance with 43 CFR 3833.91, the claim(s) listed above is/are hereby declared null and void ab initio for the reason indicated below. A copy of the Master Title Plat is enclosed for your convenience, if applicable.

The claims are located on land that is not open to location. The surface was reconveyed to the U.S. by document A-13128, dated July 28, 1987, but the subsurface was retained by the grantor.

This decision does not relieve you of the liability for reclamation of all areas disturbed by your activities on land encompassed by your mining claim(s) and/or site(s). After you complete the reclamation, you must notify the authorized officer of the appropriate surface managing agency so that the authorized officer may conduct a final site inspection and determine whether you may be released from liability. If you fail to reclaim the land to the satisfaction of the authorized officer, the surface management agency may cite you for noncompliance under its surface management regulations.

For land administered by the Bureau of Land Management (BLM), if you fail to reclaim the land to the satisfaction of the authorized officer as required in 43 CFR Subpart 3809, the BLM will issue an order of noncompliance under 43 CFR 3809.601(a). If you fail to comply with the noncompliance order, the BLM may take further action under 43 CFR 3809.604. Failure to conduct reclamation is a prohibited act that may subject you to criminal penalties. See 43 CFR 3809.605(h) and 43 CFR 3809.700. If your occupancy has been terminated and you fail to remove structures, material, and equipment, and any personal property in accordance with the regulations in 43 CFR 3715.5-1, the BLM may dispose of the property. In accordance with 43 CFR 3715.5-2, you will remain liable for the costs the BLM incurs in removing and disposing of the property.

### Appeal Procedures

This decision may be appealed to the Interior Board of Land Appeals, Office of the Secretary, in accordance with the regulations contained in 43 CFR, Part 4 and the enclosed Form 1842-1. If an appeal is taken, your notice of appeal must be filed in this office (at the above address) within 30 days from receipt of this decision. The appellant has the burden of showing that the decision appealed from is in error.

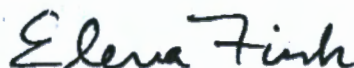
If you wish to file a petition pursuant to regulation 43 CFR 4.21 (58 FR 4939, January 19, 1993), for a stay of the effectiveness of this decision during the time that your appeal is being reviewed by the Board, the petition for a stay must accompany your notice of appeal. A petition for a stay is required to show sufficient justification based on the standards listed below. Copies of the notice of appeal and petition for a stay must also be submitted to each party named in this decision and to the Interior Board of Land Appeals and to the appropriate Office of the Solicitor (see 43 CFR 4.413) at the same time the original documents are filed with this office. If you request a stay, you have the burden of proof to demonstrate that a stay should be granted.

### Standards for Obtaining a Stay

Except as otherwise provided by law or other pertinent regulation, a petition for a stay of a decision pending appeal shall show sufficient justification based on the following standards:

- (1) The relative harm to the parties if the stay is granted or denied,
- (2) The likelihood of the appellant's success on the merits,
- (3) The likelihood of immediate and irreparable harm if the stay is not granted, and
- (4) Whether the public interest favors granting the stay.

If additional information is required, please contact RéAnn Myers at 602-417-9413. Please include your AMC serial number(s) on all correspondence.



Elena Fink  
Deputy State Director  
Lands, Minerals and Energy Division

Enclosure(s)





Date Produced: 04/06/2020

ConnectSuite Inc.:

The following is the delivery information for Certified Mail™/RRE item number 9214 8901 9403 8309 9533 75. Our records indicate that this item was delivered on 04/02/2020 at 09:44 a.m. in RENO, NV 89501. The scanned image of the recipient information is provided below.

Signature of Recipient :  
(Authorized Agent)

L Stegely  
LF5

Address of Recipient :

City

Thank you for selecting the Postal Service for your mailing needs. If you require additional assistance, please contact your local post office or Postal Service representative.

Sincerely,  
United States Postal Service

The customer reference number shown below is not validated or endorsed by the United States Postal Service. It is solely for customer use.

Customer Reference Number: C2003982.11418727

**NO  
DOCUMENTS  
FOUND**

NO DOCUMENTS FOUND  
NO DOCUMENTS FOUND

**NOTICE!!**

**These documents have been scanned!**

**Do not place un-scanned documents beneath this notice!**

**Do not remove this notice from this file!**

GPO Jacket No. 560-102  
Print Order 61540  
Rise Business Services, LLC  
Job=AZ15 9/11/2019



Box Number= AZ15234



Claim Begin-End: AMC451342-AMC451384

**3 Transfers**



AZ15234-5

AMC448147-AMC457012



**NO  
DOCUMENTS  
FOUND**

NO DOCUMENTS FOUND  
NO DOCUMENTS FOUND

**NOTICE!!**

**These documents have been scanned!**

**Do not place un-scanned documents beneath this notice!**

**Do not remove this notice from this file!**

GPO Jacket No. 560-102  
Print Order 61540  
Rise Business Services, LLC  
Job=AZ15 9/11/2019



Box Number= AZ15234



Claim Begin-End: AMC451342-AMC451384

**4 Annual Filings**



AZ15234-5

AMC448147-AMC457012



DEPARTMENT OF THE INTERIOR  
BUREAU OF LAND MANAGEMENT  
MINING CLAIMS

Run Date/Time: 9/11/2018

MC Maintenance Fees Paid Through the BLM Pay Portal  
(by Date Paid)

Page 6 Of 723

**CBS Receipt: 4238713**

Printed For Lead File # AMC451342

Agency Tracking ID: 1534708186

Assessment Year: 2019

Number of BLM Serial Nr: 22

Paid On: 8/19/2018

Total Amount Paid: \$3,410.00

Claim Name	BLM Serial No	Lead File No	Amount Paid
EN 120	AMC451363	AMC451342	\$155.00
EN 121	AMC451364	AMC451342	\$155.00
EN 127	AMC451365	AMC451342	\$155.00
EN 128	AMC451366	AMC451342	\$155.00
EN 129	AMC451367	AMC451342	\$155.00
EN 135	AMC451368	AMC451342	\$155.00
EN 136	AMC451369	AMC451342	\$155.00
EN 137	AMC451370	AMC451342	\$155.00
EN 138	AMC451371	AMC451342	\$155.00
EN 140	AMC451372	AMC451342	\$155.00
EN 142	AMC451373	AMC451342	\$155.00
EN 144	AMC451374	AMC451342	\$155.00
EN 146	AMC451375	AMC451342	\$155.00
EN 148	AMC451376	AMC451342	\$155.00
EN 150	AMC451377	AMC451342	\$155.00
EN 151	AMC451378	AMC451342	\$155.00
EN 152	AMC451379	AMC451342	\$155.00
EN 153	AMC451380	AMC451342	\$155.00
EN 154	AMC451381	AMC451342	\$155.00
EN 155	AMC451382	AMC451342	\$155.00
EN 156	AMC451383	AMC451342	\$155.00
EN 157	AMC451384	AMC451342	\$155.00

NO WARRANTY IS MADE BY BLM FOR USE OF THE DATA FOR PURPOSES NOT INTENDED BY BLM



**United States Department of the Interior  
Bureau of Land Management  
BUSINESS & SUPPORT SVCS DIV  
ONE N CENTRAL AVE SUITE 800  
PHOENIX, AZ 85004 -4427  
Phone: 602-417-9200**

Receipt

No: 4238713

<b>Transaction #:</b> 4354108	
<b>Date of Transaction:</b> 08/19/2018	
<b>CUSTOMER:</b>	
JOEL ADAMS 145 WEST 67TH NEW YORK, NY 10023 US	

LINE #	QTY	DESCRIPTION	REMARKS	UNIT PRICE	TOTAL
1	1.00	LOCATABLE MINERALS / MINING CLAIMS- NOT NEW-UNADJUD, ONE AUTH NO. ONLY / MINING CLAIM MONEY RECEIVED CASES: AMC451363/\$3410.00		- n/a -	3410.00
<b>TOTAL:</b>					<b>\$3,410.00</b>

PAYMENT INFORMATION				
NOTE: Items will appear on credit card statement as "BLM O Mining Claim".				
1	AMOUNT:	3410.00	POSTMARKED:	N/A
	TYPE:	CREDIT CARD	RECEIVED:	08/19/2018
	NAME:	JOEL ADAMS 145 WEST 67TH NEW YORK NY 10023 US		
	CARD NO:	XXXXXXXXXXXX2270	AUTH CODE:	048246
	NAME ON CARD:	JOEL ADAMS		
	SIGNATURE:			

REMARKS

This receipt was generated by the automated BLM Collections and Billing System and is a paper representation of a portion of the official electronic record contained therein.

DEPARTMENT OF THE INTERIOR  
BUREAU OF LAND MANAGEMENT  
MINING CLAIMS

Run Date/Time: 9/26/2018

MC Maintenance Fees Paid Through the BLM Pay Portal  
(by Date Paid)

Page 2 Of 2

**CBS Receipt: 4238503**

Printed For Lead File # AMC451342

Agency Tracking ID: 1534606922

Assessment Year: 2019

Number of BLM Serial Nr: 20

Paid On: 8/18/2018

Total Amount Paid: \$3,100.00

Claim Name	BLM Serial No	Lead File No	Amount Paid
EN 98	AMC451343	AMC451342	\$155.00
EN 99	AMC451344	AMC451342	\$155.00
EN 100	AMC451345	AMC451342	\$155.00
EN 101	AMC451346	AMC451342	\$155.00
EN 102	AMC451347	AMC451342	\$155.00
EN 103	AMC451348	AMC451342	\$155.00
EN 104	AMC451349	AMC451342	\$155.00
EN 105	AMC451350	AMC451342	\$155.00
EN 106	AMC451351	AMC451342	\$155.00
EN 107	AMC451352	AMC451342	\$155.00
EN 108	AMC451353	AMC451342	\$155.00
EN 110	AMC451354	AMC451342	\$155.00
EN 111	AMC451355	AMC451342	\$155.00
EN 112	AMC451356	AMC451342	\$155.00
EN 113	AMC451357	AMC451342	\$155.00
EN 114	AMC451358	AMC451342	\$155.00
EN 116	AMC451359	AMC451342	\$155.00
EN 117	AMC451360	AMC451342	\$155.00
EN 118	AMC451361	AMC451342	\$155.00
EN 119	AMC451362	AMC451342	\$155.00

**United States Department of the Interior**  
**Bureau of Land Management**  
 BUSINESS & SUPPORT SVCS DIV  
 ONE N CENTRAL AVE SUITE 800  
 PHOENIX, AZ 85004 -4427  
 Phone: 602-417-9200

Receipt

No: 4238503

<b>Transaction #:</b> 4353894	
<b>Date of Transaction:</b> 08/18/2018	
<b>CUSTOMER:</b>	
JOEL ADAMS 145 WEST 67TH NEW YORK, NY 10023 US	

LINE #	QTY	DESCRIPTION	REMARKS	UNIT PRICE	TOTAL
1	1.00	LOCATABLE MINERALS / MINING CLAIMS- NOT NEW-UNADJUD, ONE AUTH NO. ONLY / MINING CLAIM MONEY RECEIVED CASES: AMC451343/\$3100.00		- n/a -	3100.00
<b>TOTAL:</b>					<b>\$3,100.00</b>

PAYMENT INFORMATION				
NOTE: Items will appear on credit card statement as "BLM O Mining Claim".				
1	AMOUNT:	3100.00	POSTMARKED:	N/A
	TYPE:	CREDIT CARD	RECEIVED:	08/18/2018
	NAME:	JOEL ADAMS 145 WEST 67TH NEW YORK NY 10023 US		
	CARD NO:	XXXXXXXXXXXX2270	AUTH CODE:	070307
	NAME ON CARD:	JOEL ADAMS		
	SIGNATURE:			

REMARKS

This receipt was generated by the automated BLM Collections and Billing System and is a paper representation of a portion of the official electronic record contained therein.



DEPARTMENT OF THE INTERIOR  
BUREAU OF LAND MANAGEMENT  
MINING CLAIMS

Run Date/Time: 8/20/2018

MC Maintenance Fees Paid Through the BLM Pay Portal  
(by Date Paid)

Page 256 Of 316

**CBS Receipt: 4237278**

Printed For Lead File # AMC451342

Agency Tracking ID: 1534423521

Assessment Year: 2019

Number of BLM Serial Nr: 10

Paid On: 8/16/2018

Total Amount Paid: \$1,550.00

Claim Name	BLM Serial No	Lead File No	Amount Paid
EN 89	AMC451004	AMC450979	\$155.00
EN 90	AMC451005	AMC450979	\$155.00
EN 91	AMC451006	AMC450979	\$155.00
EN 139	AMC451026	AMC451026	\$155.00
EN 141	AMC451027	AMC451026	\$155.00
EN 143	AMC451028	AMC451026	\$155.00
EN 145	AMC451029	AMC451026	\$155.00
EN 147	AMC451030	AMC451026	\$155.00
EN 149	AMC451031	AMC451026	\$155.00
EN 97	AMC451342	AMC451342	\$155.00

**United States Department of the Interior  
Bureau of Land Management  
BUSINESS & SUPPORT SVCS DIV  
ONE N CENTRAL AVE SUITE 800  
PHOENIX, AZ 85004 -4427  
Phone: 602-417-9200**

Receipt

No: 4237278

<b>Transaction #:</b> 4352660	
<b>Date of Transaction:</b> 08/16/2018	
<b>CUSTOMER:</b>	
JOEL ADAMS 145 WEST 67TH NEW YORK, NY 10023 US	

LINE #	QTY	DESCRIPTION	REMARKS	UNIT PRICE	TOTAL
1	1.00	LOCATABLE MINERALS / MINING CLAIMS- NOT NEW-UNADJUD, ONE AUTH NO. ONLY / MINING CLAIM MONEY RECEIVED <b>CASES: AMC451004/\$1550.00</b>		- n/a -	1550.00
<b>TOTAL:</b>					<b>\$1,550.00</b>

PAYMENT INFORMATION			
NOTE: Items will appear on credit card statement as "BLM O Mining Claim".			
1	AMOUNT:	1550.00	POSTMARKED: N/A
	TYPE:	CREDIT CARD	RECEIVED: 08/16/2018
	NAME:	JOEL ADAMS 145 WEST 67TH NEW YORK NY 10023 US	
	CARD NO:	XXXXXXXXXXXX2270	AUTH CODE: 033645
	NAME ON CARD:	JOEL ADAMS	
	SIGNATURE:		

REMARKS

This receipt was generated by the automated BLM Collections and Billing System and is a paper representation of a portion of the official electronic record contained therein.

**NOTICE!!**

**These documents have been scanned!**

**Do not place un-scanned documents beneath this notice!**

**Do not remove this notice from this file!**

GPO Jacket No. 560-102  
Print Order 61540  
Rise Business Services, LLC  
Job=AZ15 9/11/2019



Box Number= AZ15234



Claim Begin-End: AMC451342-AMC451384

**5 Miscellaneous**



AZ15234-5

AMC448147-AMC457012



**Authorized Date**09/14/2020

**Instructions to Accounts** AZ BLM REFUND \$212, TO NICHOLAS BARR; FOR OVERPAYMENT OF FEES,  
ON AMC451342, RECEIPT #4194619. RM

**Login ID**6222

**Entry Date**09/14/2020

**Total Amount**\$212.00

**United States Department of the Interior**  
**Bureau of Land Management**  
 DIV OF LANDS, MINRLS & ENERGY  
 ONE N CENTRAL AVE  
 PHOENIX, AZ 85004 -4427  
 Phone: 602-417-9200

*R #217?* ← *Refund after adjudication if Receipt Required*

No: 4194619

<b>Transaction #:</b> 4309393	
<b>Date of Transaction:</b> 06/21/2018	
CUSTOMER:	
NICHOLAS BARR 5441 E MINING CAMP ST APACHE JUNCTION, AZ 85119-9577 US	

LINE #	QTY	DESCRIPTION	REMARKS	UNIT PRICE	TOTAL
1	43.00	LOCATABLE MINERALS / MINING CLAIMS-NEW, UNADJUD, ONE OR MORE AUTH NOS / NEW MINING CLAIM PROCESSING FEE <b>CASES:</b> AMC451342/\$20.00, AMC451343/\$20.00, AMC451344/\$20.00, AMC451345/\$20.00, AMC451346/\$20.00, AMC451347/\$20.00, AMC451348/\$20.00, AMC451349/\$20.00, AMC451350/\$20.00, AMC451351/\$20.00, AMC451352/\$20.00, AMC451353/\$20.00, AMC451354/\$20.00, AMC451355/\$20.00, AMC451356/\$20.00, AMC451357/\$20.00, AMC451358/\$20.00, AMC451359/\$20.00, AMC451360/\$20.00, AMC451361/\$20.00, AMC451362/\$20.00, AMC451363/\$20.00, AMC451364/\$20.00, AMC451365/\$20.00, AMC451366/\$20.00, AMC451367/\$20.00, AMC451368/\$20.00, AMC451369/\$20.00, AMC451370/\$20.00, AMC451371/\$20.00, AMC451372/\$20.00, AMC451373/\$20.00, AMC451374/\$20.00, AMC451375/\$20.00, AMC451376/\$20.00, AMC451377/\$20.00, AMC451378/\$20.00, AMC451379/\$20.00, AMC451380/\$20.00, AMC451381/\$20.00, AMC451382/\$20.00, AMC451383/\$20.00, AMC451384/\$20.00		- n/a -	860.00
		LOCATABLE MINERALS / MINING CLAIMS-NEW, UNADJUD, ONE OR MORE AUTH NOS / NEW MINING CLAIMS LOCATION FEE <b>CASES:</b> AMC451342/\$37.00, AMC451343/\$37.00, AMC451344/\$37.00, AMC451345/\$37.00, AMC451346/\$37.00, AMC451347/\$37.00, AMC451348/\$37.00, AMC451349/\$37.00			



2	43.00	\$37.00, AMC451350/\$37.00, AMC451351/\$37.00, AMC451352/\$37.00, AMC451353/\$37.00, AMC451354/\$37.00, AMC451355/\$37.00, AMC451356/\$37.00, AMC451357/\$37.00, AMC451358/\$37.00, AMC451359/\$37.00, AMC451360/\$37.00, AMC451361/\$37.00, AMC451362/\$37.00, AMC451363/\$37.00, AMC451364/\$37.00, AMC451365/\$37.00, AMC451366/\$37.00, AMC451367/\$37.00, AMC451368/\$37.00, AMC451369/\$37.00, AMC451370/\$37.00, AMC451371/\$37.00, AMC451372/\$37.00, AMC451373/\$37.00, AMC451374/\$37.00, AMC451375/\$37.00, AMC451376/\$37.00, AMC451377/\$37.00, AMC451378/\$37.00, AMC451379/\$37.00, AMC451380/\$37.00, AMC451381/\$37.00, AMC451382/\$37.00, AMC451383/\$37.00, AMC451384/\$37.00	- n/a -	1591.00
3	43.00	LOCATABLE MINERALS / MINING CLAIMS-NEW, UNADJUD, ONE OR MORE AUTH NOS / NEW MINING CLAIMS MAINTENANCE FEE CASES: AMC451342/\$155.00, AMC451343/\$155.00, AMC451344/\$155.00, AMC451345/\$155.00, AMC451346/\$155.00, AMC451347/\$155.00, AMC451348/\$155.00, AMC451349/\$155.00, AMC451350/\$155.00, AMC451351/\$155.00, AMC451352/\$155.00, AMC451353/\$155.00, AMC451354/\$155.00, AMC451355/\$155.00, AMC451356/\$155.00, AMC451357/\$155.00, AMC451358/\$155.00, AMC451359/\$155.00, AMC451360/\$155.00, AMC451361/\$155.00, AMC451362/\$155.00, AMC451363/\$155.00, AMC451364/\$155.00, AMC451365/\$155.00, AMC451366/\$155.00, AMC451367/\$155.00, AMC451368/\$155.00, AMC451369/\$155.00, AMC451370/\$155.00, AMC451371/\$155.00, AMC451372/\$155.00, AMC451373/\$155.00, AMC451374/\$155.00, AMC451375/\$155.00, AMC451376/\$155.00, AMC451377/\$155.00, AMC451378/\$155.00, AMC451379/\$155.00, AMC451380/\$155.00, AMC451381/\$155.00, AMC451382/\$155.00, AMC451383/\$155.00, AMC451384/\$155.00	- n/a -	6665.00
4	1.00	OVERPAYMENT / OVERPAYMENT OF FEES / OVERPAYMENT OF \$1.00 OR MORE	212.00	212.00
<b>TOTAL:</b>			<b>\$9,328.00</b>	

PAYMENT INFORMATION				
1	AMOUNT:	9328.00	POSTMARKED:	N/A
	TYPE:	CHECK	RECEIVED:	06/21/2018
	CHECK NO:	0053904140		
	NAME:	BARR, NICHOLAS 5441 E MINING CAMP ST APACHE JUNCTION AZ 85119-9577 US		

9/14/2020 - REFUND OF \$212 PROCESSED



REMARKS

EN# 109 IS MISSING

This receipt was generated by the automated BLM Collections and Billing System and is a paper representation of a portion of the official electronic record contained therein.

June 19, 2018

US Department of the Interior  
Bureau of Land Management  
1 North Central Avenue  
Suite 800  
Phoenix, AZ 85004

RECEIVED  
BLM AZ STATE OFFICE  
2018 JUN 21 P 12:30  
PHOENIX, ARIZONA

Dear Sir/Madam

Please see enclosed the documentation, including maps, of **forty-four, (44)**, lode mining claims located on **March 24<sup>th</sup> and March 25<sup>th</sup> of 2018** and filed and recorded by Mohave County on April 19, 2018 for **Pershing Resources Company**. All **forty-four, (44)**, EN lode mining claims were located, dated and, posted by Nick Barr, acting as agent for **Pershing Resources Company**.

Also enclosed is a return envelope and a cashier's check to the US Department of the Interior for **\$9,328.00** to cover the filing and initial maintenance fees for the **forty-four, (44)**, lode mining claims at \$212.00 per claim filed/recorded.

**The forty-four, (44), EN Lode Mining Claims for BLM recordation are;**

EN# 97	EN# 106	EN# 116	EN# 127	EN# 138	EN# 150
EN# 98	EN# 107	EN# 117	EN# 128	EN# 140	EN# 151
EN# 99	EN# 108	EN# 118	EN# 129	EN# 142	EN# 152
EN# 100	EN# 109	EN# 119		EN# 144	EN# 153
EN# 101	EN# 110	EN# 120	EN# 135	EN# 146	EN# 154
EN# 102	EN# 111	EN# 121	EN# 136	EN# 148	EN# 155
EN# 103	EN# 112		EN# 137		EN# 156
EN# 104	EN# 113				EN# 157
EN# 105	EN# 114				

Please contact me directly if there is any information that is missing or that requires further explanation. Thank you for your attention to this matter.

Kind regards,

Joel Adams  
Chief Operating Officer  
Director and Corporate Secretary  
Pershing Resources Company  
200 South Virginia Street 8<sup>th</sup> Floor  
Reno, Nevada 89501  
[jadams@pershingpm.com](mailto:jadams@pershingpm.com)  
646 387 6859 (cell)

*Missing 109*

AHC451342

**NOTICE!!**

**These documents have been scanned!**

**Do not place un-scanned documents beneath this notice!**

**Do not remove this notice from this file!**

GPO Jacket No. 560-102  
Print Order 61540  
Rise Business Services, LLC  
Job=AZ15 9/11/2019



Box Number= AZ15234



Claim Begin-End: AMC451342-AMC451384

**6 Location Notices-Amendments and Supporting Documents**



AZ15234-5

AMC448147-AMC457012



# MINING CLAIM STATUS REPORT

Data Entered: 6/28/18 Ram

MTP Checked By: 6/28/18 Ram

GEO Checked By: 6/18/18 Ram

LEAD SERIAL NUMBER: AMC ~~451385~~ thru AMC 451385

NUMBER OF CLAIMS & TYPE:

49 LODE  
PLACER  
ASSOCIATION PLACER  
MILL SITE  
TUNNEL SITE

CHARGES:

Processing Fee @ \$20 = \$ 860  
Location Fee @ \$37 = \$ 1,591  
Maintenance Fee @ \$155 = \$ 6,665  
Add'l Maint Fee for Assoc Placer = \$  
SUBTOTAL \$ 9,116  
over payment Other Fees \$ 212  
Other Fees \$  
TOTAL \$ ~~9,328~~ 9,328

TOTAL ACREAGE: \_\_\_\_\_ Per Claim  
(Placer Only)

NUMBER OF LOCATORS: \_\_\_\_\_

DOCUMENTS RECEIVED VIA: Over-the-Counter [ ] Mail [  ] TIMELY FILED: Yes [  ] No [ ]

LEGAL DESCRIPTION: T 21N R 15W SEC \_\_\_\_\_  
T 20N R 15W SEC 1, 2, 11  
T 20N R 14W SEC 7, 8  
T \_\_\_\_\_ R \_\_\_\_\_ SEC \_\_\_\_\_  
T \_\_\_\_\_ R \_\_\_\_\_ SEC \_\_\_\_\_

BLM [ ] FOREST SERVICE [ ] SUBJ TO PL 359: Yes [ ] No [ ]  
WILDERNESS AREA [ ]

SPLIT ESTATE: N/A [ ] SX [ ] PX [ ] OTHER [ ]  
SRHA [ ] Was proper Notice filed if located on SHRA Land? Yes [ ] No [ ]

RECONVEYED MINERALS ON BLM LAND REQUIRE OPENING ORDER FROM 1944 TO 1993:

Open to Entry On \_\_\_\_\_ N/A [ ]

COMMENTS/STATUS: VOID [ ] PARTIALLY VOID [ ] PVT MINERALS [ ] WITHDRAWN LANDS [ ]  
OTHER [ ]

AMC 451385

[ ] Claimant acknowledges that portions of the following claim(s) site(s) may be void or voidable.

Printed Name of Claimant \_\_\_\_\_ Signature of Claimant \_\_\_\_\_

\*\*\*\*\*FINAL ADJUDICATION\*\*\*\*\*

DATE \_\_\_\_\_ INITIALS \_\_\_\_\_

2

After recording return to:  
Pershing Resources  
200 S. Virginia St. 8th Floor  
Reno, Nevada 89501

FEE# 2018019600

OFFICIAL RECORDS  
OF MOHAVE COUNTY  
KRISTI BLAIR,  
COUNTY RECORDER



04/19/2018 03:36 PM Fee: \$10.00

PAGE: 1 of 2

**LOCATION NOTICE FOR LODE MINING CLAIM**

Amendment BLM Serial # \_\_\_\_\_

NOTICE IS HEREBY GIVEN that the \_\_\_\_\_  
EN# 97 lode mining claim has been located  
by Nicholas BARR (agent) whose current mailing  
address is 5441 E. Mining Camp St.  
Apache Junction, AZ 85119

RECEIVED  
BLM AZ STATE OFFICE  
2018 JUN 21 P 12:3  
PHOENIX, ARIZONA  
BLM  
Date  
Stamp

The general course of this claim is N-S and it is situated in Mohave  
County, Arizona. This claim is 1500 feet in length and 600 feet in width.

20 Total Claim Acreage. This claim runs from the location monument on which this location notice  
is posted on the centerline of the claim approximately 20 feet in a S direction to the S  
end line and 1480 feet in a N direction to the N end line. This claim is marked by six  
monuments, one at each corner and one at the center of each end line of the claim.

The location monument on which this notice is posted is situated within Section 35, Township 21  
N, Range 15, W, Gila Salt River Base and Meridian, Arizona and this claim encompasses portions  
of the following quarter section(s), section(s), Township(s) and Range(s) \_\_\_\_\_  
SE 1/4 Section 35 T21N R15W

Gila Salt River Base and Meridian, Arizona.

The locality of this claim with reference to some natural object or permanent monument and additional information  
(if any) concerning its locality are as follows: The NE CORNER of claim is located  
9900 ft. West and 2300 ft. North of survey monument located at  
NE Corner Section 1, T20N, R.15W, GSRB & M  
The above information is shown on the attached map.

DATED AND POSTED on the ground this 24 day of March, 2018.

LOCATOR(s)  AGENT

Print Name(s) Nicholas Barr

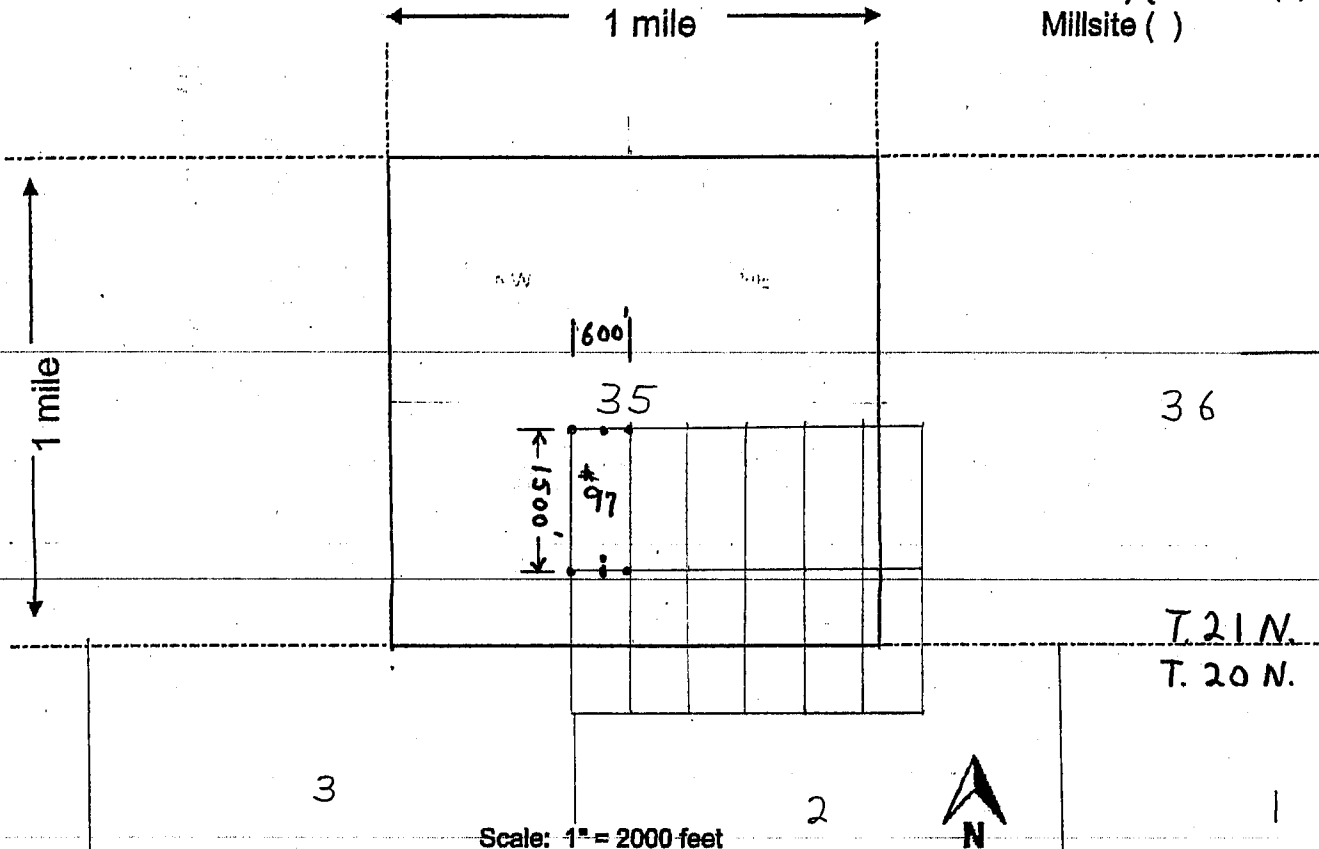
Signature(s) Nicholas Barr

(Agent for Pershing Resources) Form MCF100

AHC451342

**MINING CLAIM MAP**

Lode (X) Placer ( )  
Millsite ( )



Scale: 1" = 2000 feet

1. The above map depicts the EN # 97 mining claim, which is located in Section (s) 35, Township 21 N, Range 15 W, Gila and Salt River Base and Meridian, Mohave County, Arizona. Total claim acreage is 20 acres

2. The type of corner and location monuments used are as follows: 2" x 2" x 4 ft wood posts

3. The bearings and distances in degrees and feet between claim corners and to a public land survey monument are as depicted on the map.

4. If the claim is a placer or millsite claim with exterior limits conforming to legal subdivisions of the public survey, provide a legal description of the claim \_\_\_\_\_

Form MCF100a  
Revised July 2014



FEE# 2018019601

OFFICIAL RECORDS OF MOHAVE COUNTY KRISTI BLAIR, COUNTY RECORDER



04/19/2018 03:36 PM Fee: \$10.00

PAGE: 1 of 2

2

After recording return to: Pershing Resources 200 S. Virginia St. 8th Floor Reno, Nevada 89501

LOCATION NOTICE FOR LODE MINING CLAIM

Amendment BLM Serial #

NOTICE IS HEREBY GIVEN that the EN# 98 lode mining claim has been located by Nicholas BARR (agent) whose current mailing address is 5441 E. Mining Camp St. Apache Junction, AZ 85119

RECEIVED BLM AZ STATE OFFICE PHOENIX, ARIZONA JUN 21 12:31 P.M.

The general course of this claim is N-S and it is situated in Mohave County, Arizona. This claim is 1500 feet in length and 600 feet in width.

20 Total Claim Acreage. This claim runs from the location monument on which this location notice is posted on the centerline of the claim approximately 20 feet in a S direction to the S end line and 1480 feet in a N direction to the N end line. This claim is marked by six monuments, one at each corner and one at the center of each end line of the claim.

The location monument on which this notice is posted is situated within Section 35, Township 21 N, Range 15 W, Gila Salt River Base and Meridian, Arizona and this claim encompasses portions of the following quarter section(s), section(s), Township(s) and Range(s) SE 1/4 Section 35 T.21N. R.15W

Gila Salt River Base and Meridian, Arizona.

The locality of this claim with reference to some natural object or permanent monument and additional information (if any) concerning its locality are as follows: The NE CORNER of claim is located 9300 ft West and 2300 ft North of survey monument located at NE Corner Section 1, T.20N, R.15W, GSRB & M. The above information is shown on the attached map.

DATED AND POSTED on the ground this 24 day of March, 2018.

LOCATOR(s) AGENT

Print Name(s) Nicholas Barr

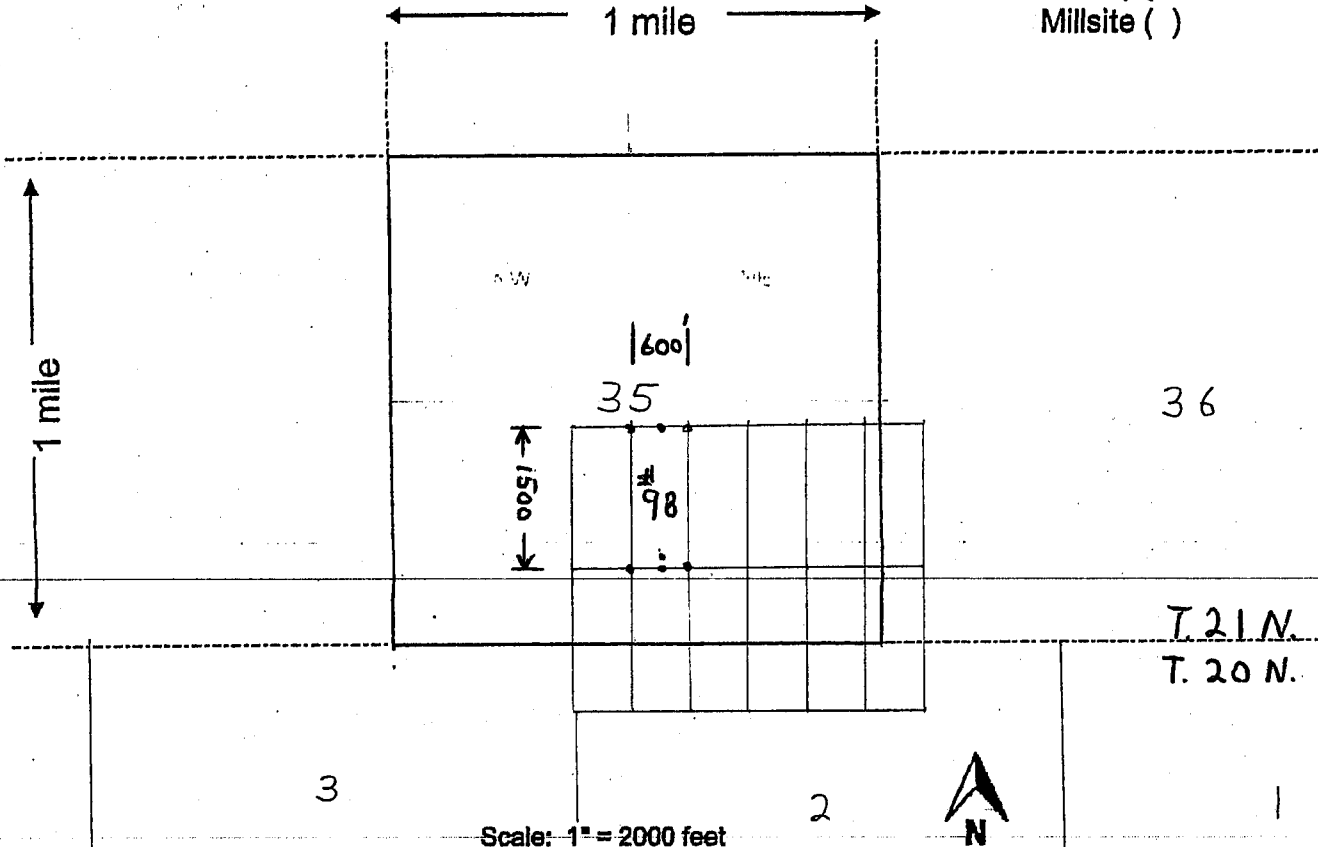
Signature(s) Nicholas Barr

(Agent for Pershing Resources) Form MCF100

AHC451343

**MINING CLAIM MAP**

Lode (X) Placer ( )  
Millsite ( )



1. The above map depicts the EN # 98 mining claim, which is located in Section (s) 35, Township 21 N, Range 15 W, Gila and Salt River Base and Meridian, Mohave County, Arizona. Total claim acreage is 20 acres
2. The type of corner and location monuments used are as follows: 2" x 2" x 4 ft wood posts
3. The bearings and distances in degrees and feet between claim corners and to a public land survey monument are as depicted on the map.
4. If the claim is a placer or millsite claim with exterior limits conforming to legal subdivisions of the public survey, provide a legal description of the claim \_\_\_\_\_

Form MCF100a  
Revised July 2014

FEE# 2018019602

OFFICIAL RECORDS OF MOHAVE COUNTY KRISTI BLAIR, COUNTY RECORDER



04/19/2018 03:36 PM Fee: \$10.00

PAGE: 1 of 2

After recording return to: Pershing Resources 200 S. Virginia St. 8th Floor Reno, Nevada 89501

LOCATION NOTICE FOR LODE MINING CLAIM

Amendment BLM Serial #

NOTICE IS HEREBY GIVEN that the EN # 99 lode mining claim has been located

by Nicholas BARR (agent) whose current mailing address is 5441 E. Mining Camp St. Apache Junction, AZ 85119

The general course of this claim is N-S and it is situated in Mohave County, Arizona. This claim is 1500 feet in length and 600 feet in width.

20 Total Claim Acreage. This claim runs from the location monument on which this location notice is posted on the centerline of the claim approximately 20 feet in a S direction to the S end line and 1480 feet in a N direction to the N end line. This claim is marked by six monuments, one at each corner and one at the center of each end line of the claim.

The location monument on which this notice is posted is situated within Section 35, Township 21 N, Range 15 W, Gila Salt River Base and Meridian, Arizona and this claim encompasses portions of the following quarter section(s), section(s), Township(s) and Range(s) SE 1/4 Section 35 T. 21 N. R. 15 W

Gila Salt River Base and Meridian, Arizona.

The locality of this claim with reference to some natural object or permanent monument and additional information (if any) concerning its locality are as follows: The NE CORNER of claim is located 8700 ft. West and 2300 ft. North of survey monument located at NE Corner Section 1, T. 20 N., R. 15 W., GSRB & M. The above information is shown on the attached map.

DATED AND POSTED on the ground this 24 day of March, 2018.

LOCATOR(s) AGENT

Print Name(s) Nicholas Barr

Signature(s) Nicholas Barr

(Agent for Pershing Resources) Form MCF100

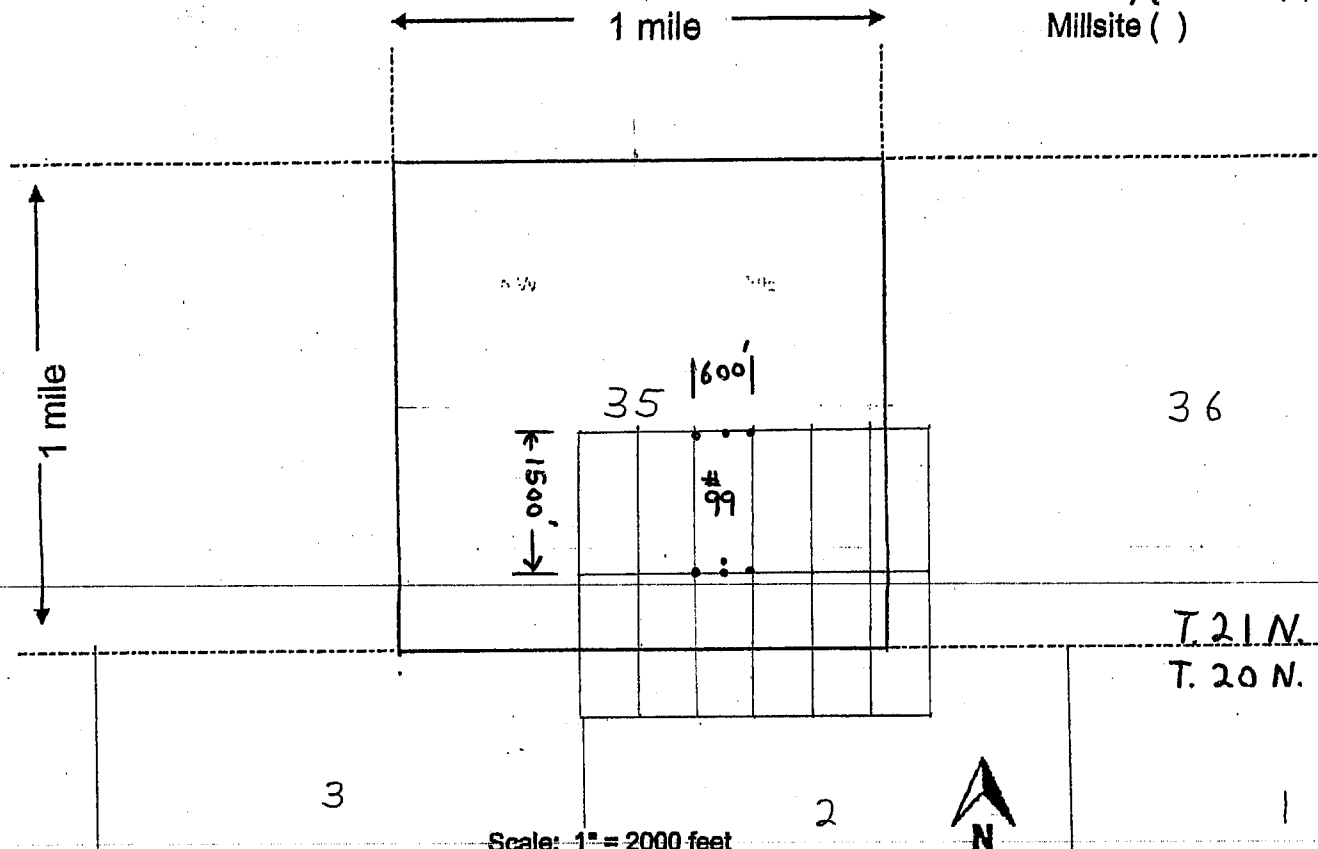
RECEIVED BLM AZ STATE OFFICE PHOENIX, ARIZONA JUN 21 12:31 P.M.

ANCH51344



**MINING CLAIM MAP**

Lode (X) Placer ( )  
Millsite ( )



Scale: 1" = 2000 feet

1. The above map depicts the EN # 99 mining claim, which is located in Section (s) 35, Township 21 N, Range 15 W, Gila and Salt River Base and Meridian, Mohave County, Arizona. Total claim acreage is 20 acres

2. The type of corner and location monuments used are as follows: 2" x 2" x 4 ft wood posts

3. The bearings and distances in degrees and feet between claim corners and to a public land survey monument are as depicted on the map.

4. If the claim is a placer or millsite claim with exterior limits conforming to legal subdivisions of the public survey, provide a legal description of the claim \_\_\_\_\_

Form MCF100a  
Revised July 2014

FEE# 2018019603

OFFICIAL RECORDS OF MOHAVE COUNTY KRISTI BLAIR, COUNTY RECORDER



04/19/2018 03:36 PM Fee: \$10.00

PAGE: 1 of 2

2

After recording return to: Pershing Resources 200 S. Virginia St. 8th Floor Reno, Nevada 89501

LOCATION NOTICE FOR LODE MINING CLAIM

Amendment BLM Serial #

NOTICE IS HEREBY GIVEN that the EN# 100 lode mining claim has been located by Nicholas BARR (agent) whose current mailing address is 5441 E. Mining Camp St. Apache Junction, AZ 85119

RECEIVED BLM AZ STATE OFFICE PHOENIX, ARIZONA 2018 JUN 21 P 12:31 BLM Date Stamp

The general course of this claim is N-S and it is situated in Mohave County, Arizona. This claim is 1500 feet in length and 600 feet in width.

20 Total Claim Acreage. This claim runs from the location monument on which this location notice is posted on the centerline of the claim approximately 20 feet in a S direction to the S end line and 1480 feet in a N direction to the N end line. This claim is marked by six monuments, one at each corner and one at the center of each end line of the claim.

The location monument on which this notice is posted is situated within Section 35, Township 21 N, Range 15 W, Gila Salt River Base and Meridian, Arizona and this claim encompasses portions of the following quarter section(s), section(s), Township(s) and Range(s) SE 1/4 Section 35 T21N, R15W

Gila Salt River Base and Meridian, Arizona.

The locality of this claim with reference to some natural object or permanent monument and additional information (if any) concerning its locality are as follows: The NE CORNER of claim is located 8100 ft West and 2300 ft North of survey monument located at NE Corner Section 1, T20N, R. 15W, GSRB & M. The above information is shown on the attached map.

DATED AND POSTED on the ground this 24 day of March, 2018.

LOCATOR(s) AGENT

Print Name(s) Nicholas Barr

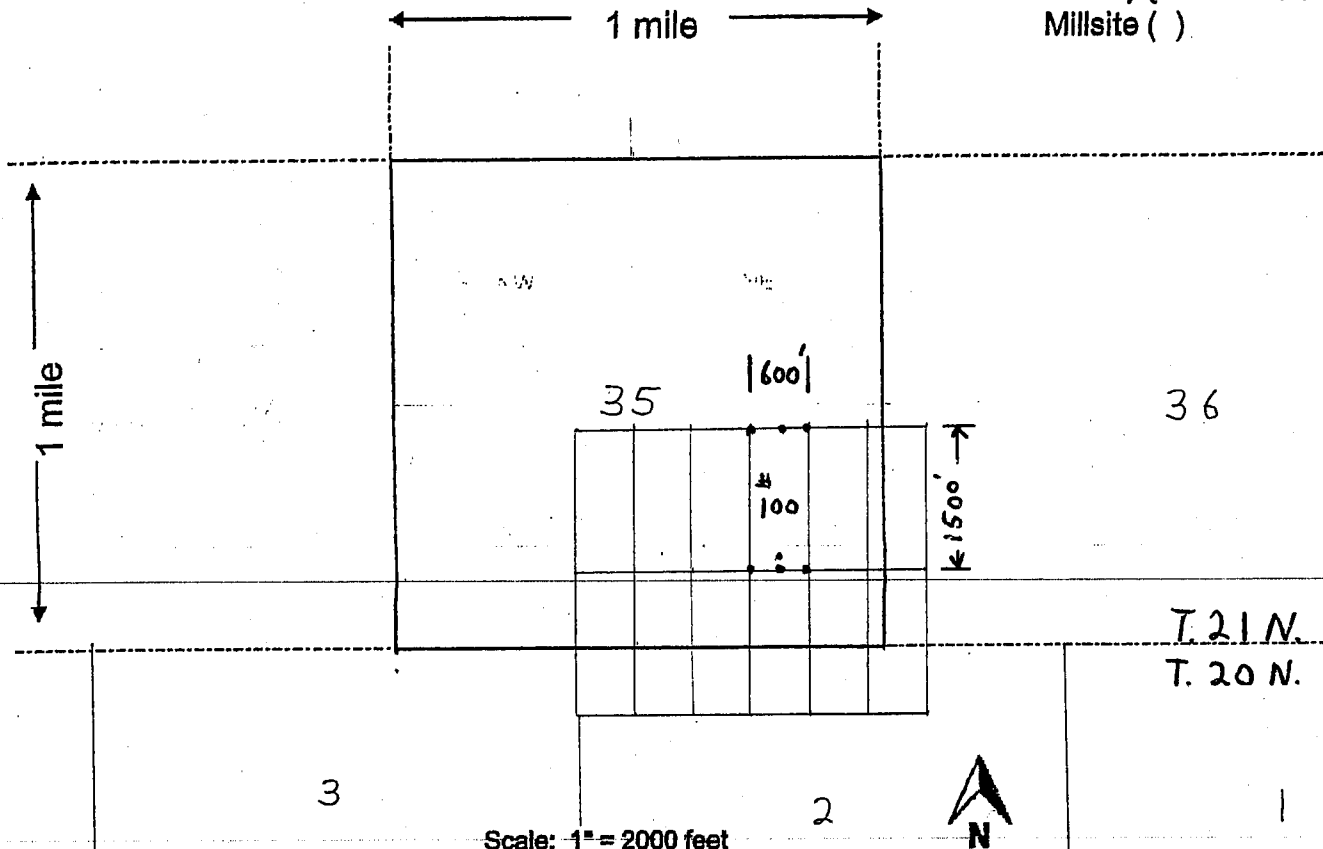
Signature(s) Nicholas Barr

(Agent for Pershing Resources) Form MCF100

AMC451345

**MINING CLAIM MAP**

Lode (X) Placer ( )  
Millsite ( )



1. The above map depicts the EN # 100 mining claim, which is located in Section (s) 35, Township 21 N, Range 15 W, Gila and Salt River Base and Meridian, Mohave County, Arizona. Total claim acreage is 20 acres
2. The type of corner and location monuments used are as follows: 2" x 2" x 4 ft wood posts
3. The bearings and distances in degrees and feet between claim corners and to a public land survey monument are as depicted on the map.
4. If the claim is a placer or millsite claim with exterior limits conforming to legal subdivisions of the public survey, provide a legal description of the claim \_\_\_\_\_

Form MCF100a  
Revised July 2014



2

After recording return to:  
Pershing Resources  
200 S. Virginia St. 8th Floor  
Reno, Nevada 89501

FEE# 2018019604

OFFICIAL RECORDS  
OF MOHAVE COUNTY  
KRISTI BLAIR,  
COUNTY RECORDER



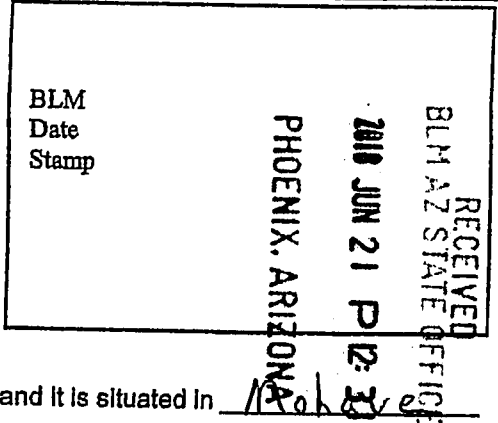
04/19/2018 03:36 PM Fee: \$10.00

PAGE: 1 of 2

**LOCATION NOTICE FOR LODE MINING CLAIM**

Amendment BLM Serial # \_\_\_\_\_

NOTICE IS HEREBY GIVEN that the \_\_\_\_\_  
EN# 101 lode mining claim has been located  
by Nicholas BARR (agent) whose current mailing  
address is 5441 E. Mining Camp St.  
Apache Junction, AZ 85119



The general course of this claim is N-S and it is situated in Mohave  
County, Arizona. This claim is 1500 feet in length and 600 feet in width.

20 Total Claim Acreage. This claim runs from the location monument on which this location notice  
is posted on the centerline of the claim approximately 20 feet in a S direction to the S  
end line and 1480 feet in a N direction to the N end line. This claim is marked by six  
monuments, one at each corner and one at the center of each end line of the claim.

The location monument on which this notice is posted is situated within Section 35, Township 21  
N, Range 15 W, Gila Salt River Base and Meridian, Arizona and this claim encompasses portions  
of the following quarter section(s), section(s), Township(s) and Range(s) \_\_\_\_\_  
SF 4 Section 35 T21N R15W

Gila Salt River Base and Meridian, Arizona.

The locality of this claim with reference to some natural object or permanent monument and additional information  
(if any) concerning its locality are as follows: The NE CORNER of claim is located  
7500 ft. West and 2300 ft. North of survey monument located at  
NE Corner Section 1, T20N, R. 15W, GSRB & M The above information is shown on the attached map.

DATED AND POSTED on the ground this 24 day of March, 2018.

LOCATOR(s)  AGENT

Print Name(s) Nicholas Barr

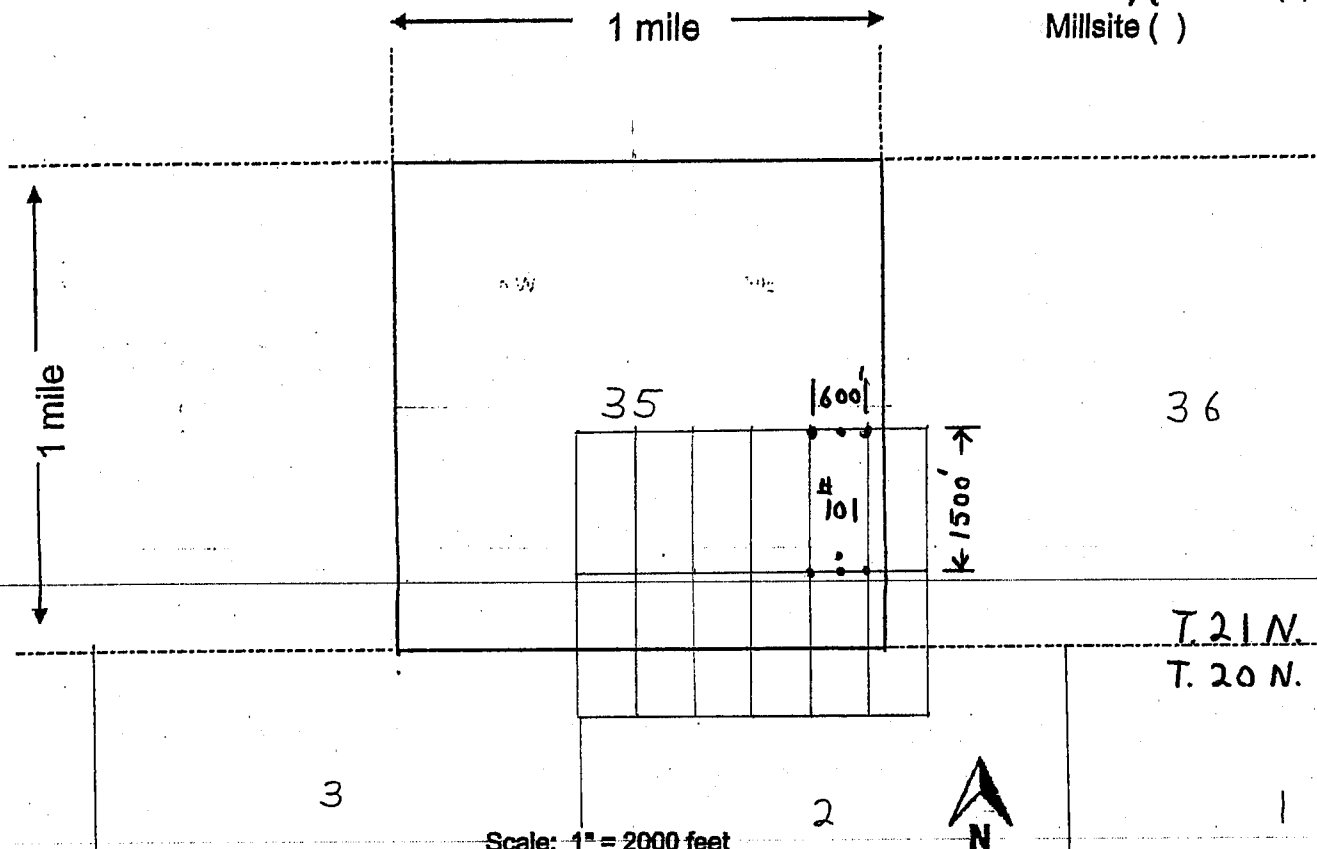
Signature(s) Nicholas Barr

(Agent for Pershing Resources) Form MCF100

AMC 451346

**MINING CLAIM MAP**

Lode (X) Placer ( )  
Millsite ( )



Scale: 1" = 2000 feet

1. The above map depicts the EN # 101 mining claim, which is located in Section (s) 35, Township 21 N, Range 15 W, Gila and Salt River Base and Meridian, Mohave County, Arizona. Total claim acreage is 20 acres

2. The type of corner and location monuments used are as follows: 2" x 2" x 4 ft wood posts

3. The bearings and distances in degrees and feet between claim corners and to a public land survey monument are as depicted on the map.

4. If the claim is a placer or millsite claim with exterior limits conforming to legal subdivisions of the public survey, provide a legal description of the claim \_\_\_\_\_

Form MCF100a  
Revised July 2014

2

After recording return to:  
Pershing Resources  
200 S. Virginia St. 8th Floor  
Reno, Nevada 89501

FEE# 2018019605

OFFICIAL RECORDS  
OF MOHAVE COUNTY  
KRISTI BLAIR,  
COUNTY RECORDER



04/19/2018 03:36 PM Fee: \$10.00

PAGE: 1 of 2

LOCATION NOTICE FOR LODE MINING CLAIM

Amendment BLM Serial # \_\_\_\_\_

NOTICE IS HEREBY GIVEN that the \_\_\_\_\_  
EN# 102 lode mining claim has been located

by Nicholas BARR (agent) whose current mailing  
address is 5441 E. Mining Camp St.  
Apache Junction, AZ 85119

RECEIVED  
BLM AZ STATE OFFICE  
2018 JUN 21 P 12:31  
PHOENIX, ARIZONA  
BLM  
Date  
Stamp

The general course of this claim is N-S and it is situated in Mohave  
County, Arizona. This claim is 1500 feet in length and 600 feet in width.

20 Total Claim Acreage. This claim runs from the location monument on which this location notice  
is posted on the centerline of the claim approximately 20 feet in a S direction to the S  
end line and 1480 feet in a N direction to the N end line. This claim is marked by six  
monuments, one at each corner and one at the center of each end line of the claim.

The location monument on which this notice is posted is situated within Section 36, Township 21  
N, Range 15 W, Gila Salt River Base and Meridian, Arizona and this claim encompasses portions  
of the following quarter section(s), section(s), Township(s) and Range(s) \_\_\_\_\_

SE 1/4 Section 35 & SW 1/4 Section 36 T21N. R15W  
Gila Salt River Base and Meridian, Arizona.

The locality of this claim with reference to some natural object or permanent monument and additional information  
(if any) concerning its locality are as follows: The NE CORNER of claim is located  
6900 ft. West and 2300 ft. North of survey monument located at  
NE Corner Section 1, T20N, R. 15W, GSRB&M The above information is shown on the attached map.

DATED AND POSTED on the ground this 24 day of March, 2018.

LOCATOR(s)  AGENT

Print Name(s) Nicholas Barr

Signature(s) Nicholas Barr

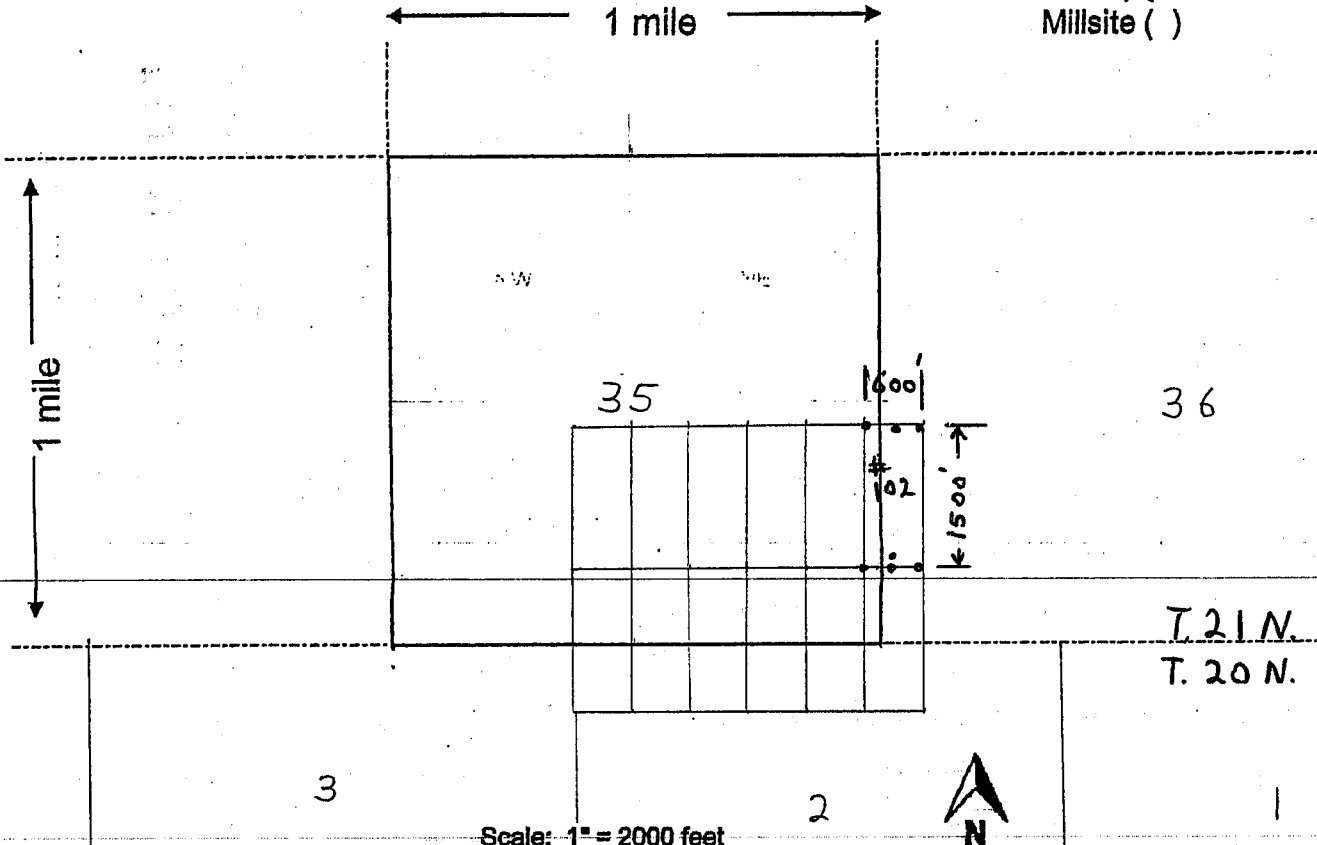
(Agent for Pershing Resources) Form MCF100

AMC451347



### MINING CLAIM MAP

Lode (X) Placer ( )  
Millsite ( )



Scale: 1" = 2000 feet

1. The above map depicts the EN # 102 mining claim, which is located in Section (s) 35 & 36, Township 21 N, Range 15 W, Gila and Salt River Base and Meridian, Mohave County, Arizona. Total claim acreage is 20 acres
2. The type of corner and location monuments used are as follows: 2" x 2" x 4 ft wood posts
3. The bearings and distances in degrees and feet between claim corners and to a public land survey monument are as depicted on the map.
4. If the claim is a placer or millsite claim with exterior limits conforming to legal subdivisions of the public survey, provide a legal description of the claim \_\_\_\_\_

Form MCF100a  
Revised July 2014

2

After recording return to:  
Pershing Resources  
200 S. Virginia St. 8th Floor  
Reno, Nevada 89501

FEE# 2018019606

OFFICIAL RECORDS  
OF MOHAVE COUNTY  
KRISTI BLAIR,  
COUNTY RECORDER



04/19/2018 03:36 PM Fee: \$10.00

PAGE: 1 of 2

LOCATION NOTICE FOR LODE MINING CLAIM

Amendment BLM Serial # \_\_\_\_\_

NOTICE IS HEREBY GIVEN that the \_\_\_\_\_  
EN # 103 lode mining claim has been located  
by Nicholas BARR (agent), whose current mailing  
address is 5441 E. Mining Camp St.  
Apache Junction, AZ 85119

RECEIVED  
BLM AZ STATE OFFICE  
2018 JUN 21 P 12:31  
PHOENIX, ARIZONA  
BLM  
Date  
Stamp

The general course of this claim is N-S and it is situated in Mohave  
County, Arizona. This claim is 1500 feet in length and 600 feet in width.

20 Total Claim Acreage. This claim runs from the location monument on which this location notice  
is posted on the centerline of the claim approximately 20 feet in a N direction to the N  
end line and 1480 feet in a S direction to the S end line. This claim is marked by six  
monuments, one at each corner and one at the center of each end line of the claim.

The location monument on which this notice is posted is situated within Section 35, Township 21  
N, Range 15 W, Gila Salt River Base and Meridian, Arizona and this claim encompasses portions  
of the following quarter section(s), section(s), Township(s) and Range(s) SW 1/4 Section 35 T.21N,  
R.15W & NW 1/4 Section 2 T.20N, R.15W  
Gila Salt River Base and Meridian, Arizona.

The locality of this claim with reference to some natural object or permanent monument and additional information  
(if any) concerning its locality are as follows: The NE CORNER of claim is located  
9900 ft. West and 800 ft. North of survey monument located at  
NE Corner Section 1, T.20N, R.15W, GSRB & M  
The above information is shown on the attached map.

DATED AND POSTED on the ground this 24 day of March, 2018.

LOCATOR(s)  AGENT

Print Name(s) Nicholas Barr

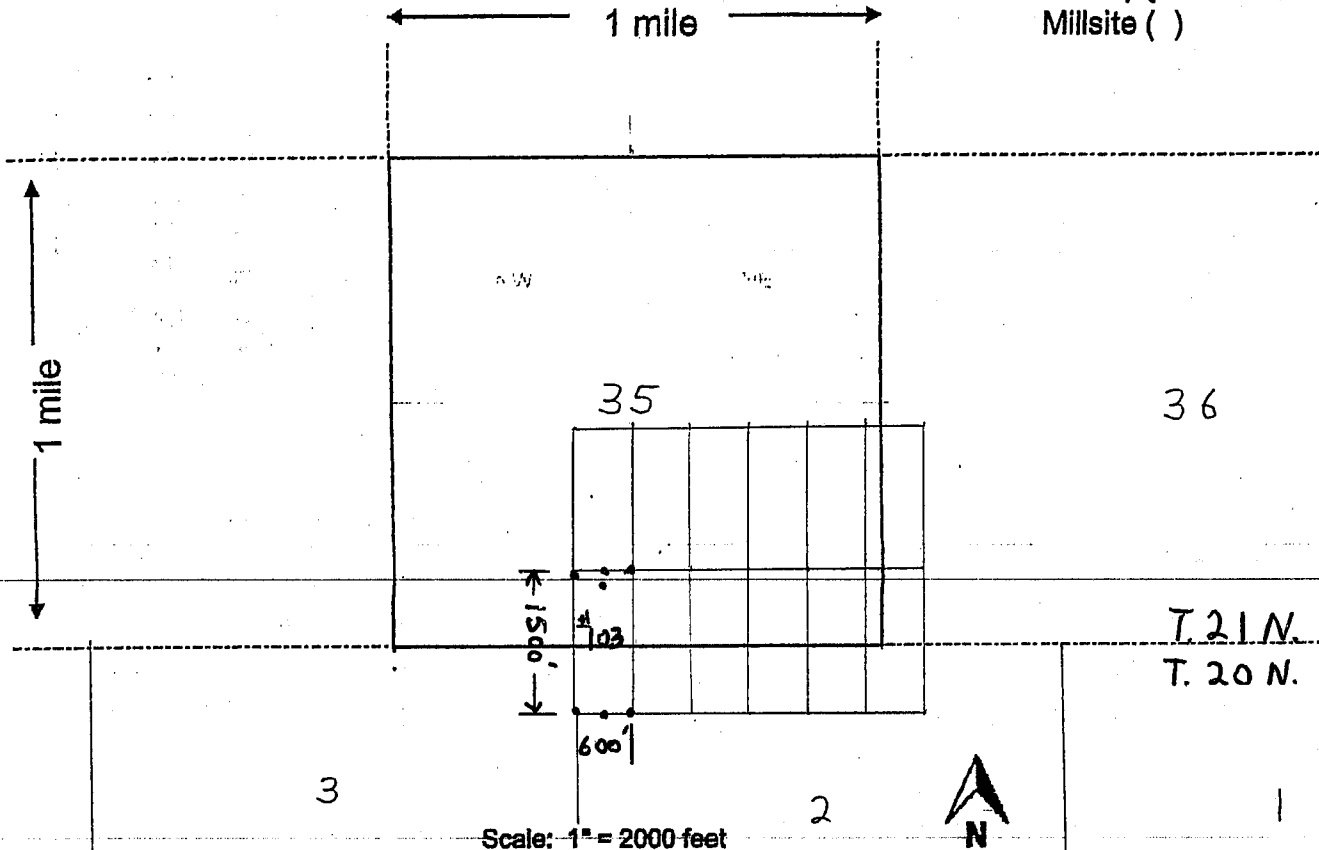
Signature(s) Nicholas Barr

(Agent for Pershing Resources) Form MCF100

AHC451348

**MINING CLAIM MAP**

Lode (X) Placer ( )  
Millsite ( )



Scale: 1" = 2000 feet

1. The above map depicts the EN # 103 mining claim, which is located in Section (s) 35, Township 20 N, Range 15 W, Gila and Salt River Base and Meridian, Mohave County, Arizona. Total claim acreage is 20 acres

2. The type of corner and location monuments used are as follows: 2" x 2" x 4 ft wood posts

3. The bearings and distances in degrees and feet between claim corners and to a public land survey monument are as depicted on the map.

4. If the claim is a placer or millsite claim with exterior limits conforming to legal subdivisions of the public survey, provide a legal description of the claim \_\_\_\_\_

Form MCF100a  
Revised July 2014



FEE# 2018019607

OFFICIAL RECORDS OF MOHAVE COUNTY KRISTI BLAIR, COUNTY RECORDER



04/19/2018 03:36 PM Fee: \$10.00

PAGE: 1 of 2

After recording return to: Pershing Resources 200 S. Virginia St. 8th Floor Reno, Nevada 89501

LOCATION NOTICE FOR LODE MINING CLAIM

Amendment BLM Serial #

NOTICE IS HEREBY GIVEN that the EN# 104 lode mining claim has been located

by Nicholas BARR (agent) whose current mailing address is 5441 E. Mining Camp St. Apache Junction, AZ 85119

The general course of this claim is N-S and it is situated in Mohave County, Arizona. This claim is 1500 feet in length and 600 feet in width.

20 Total Claim Acreage. This claim runs from the location monument on which this location notice is posted on the centerline of the claim approximately 20 feet in a N direction to the N end line and 1480 feet in a S direction to the S end line. This claim is marked by six monuments, one at each corner and one at the center of each end line of the claim.

The location monument on which this notice is posted is situated within Section 35, Township 21 N, Range 15 W, Gila Salt River Base and Meridian, Arizona and this claim encompasses portions of the following quarter section(s), section(s), Township(s) and Range(s) SE 1/4 Section 35 T21N, R15W & NW 1/4 Section 2 T20N, R15W

Gila Salt River Base and Meridian, Arizona.

The locality of this claim with reference to some natural object or permanent monument and additional information (if any) concerning its locality are as follows: The NE CORNER of claim is located 9300 ft West and 800 ft North of survey monument located at NE Corner Section 1, T20N, R.15W, GSRB & M. The above information is shown on the attached map.

DATED AND POSTED on the ground this 24 day of March, 2018.

LOCATOR(s) AGENT

Print Name(s) Nicholas Barr

Signature(s) Nicholas Barr

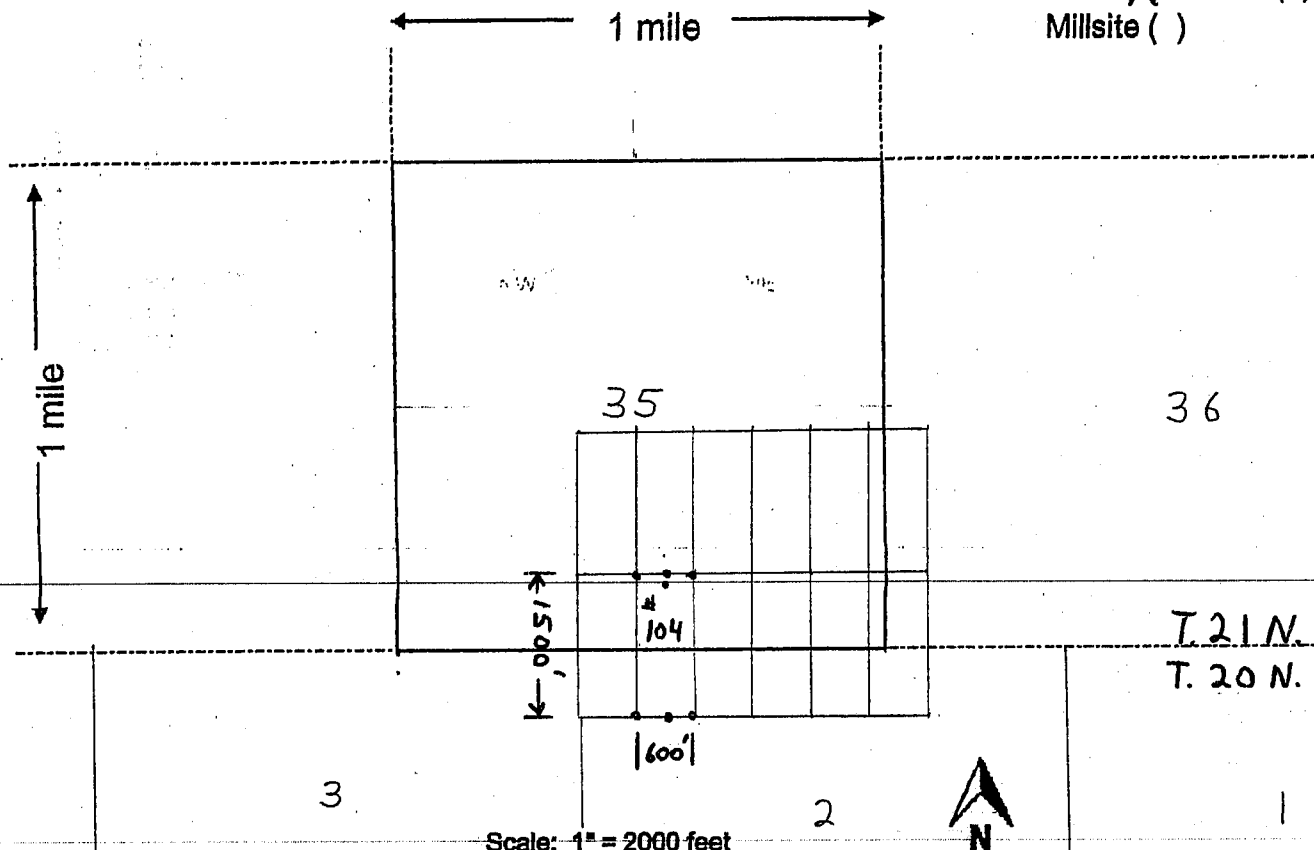
(Agent for Pershing Resources) Form MCF100

RECEIVED BLM AZ STATE OFFICE 2018 JUN 21 P 12:31 PHOENIX, ARIZONA BLM Date Stamp

AHC451349

**MINING CLAIM MAP**

Lode (X) Placer ( )  
Millsite ( )



Scale: 1" = 2000 feet

1. The above map depicts the EN # 104 mining claim, which is located in Section (s) 35, Township 21 N, Range 15 W, Gila and Salt River Base and Meridian, Mohave County, Arizona. Total claim acreage is 20 acres

2. The type of corner and location monuments used are as follows: 2" x 2" x 4 ft wood posts

3. The bearings and distances in degrees and feet between claim corners and to a public land survey monument are as depicted on the map.

4. If the claim is a placer or millsite claim with exterior limits conforming to legal subdivisions of the public survey, provide a legal description of the claim \_\_\_\_\_

Form MCF100a  
Revised July 2014

2

After recording return to:  
Pershing Resources  
200 S. Virginia St. 8th Floor  
Reno, Nevada 89501

FEE# 2018019608

OFFICIAL RECORDS  
OF MOHAVE COUNTY  
KRISTI BLAIR,  
COUNTY RECORDER



04/19/2018 03:36 PM Fee: \$10.00

PAGE: 1 of 2

LOCATION NOTICE FOR LODE MINING CLAIM

Amendment BLM Serial # \_\_\_\_\_

NOTICE IS HEREBY GIVEN that the \_\_\_\_\_  
EN # 105 lode mining claim has been located  
by Nicholas BARR (agent) whose current mailing  
address is 5441 E. Mining Camp St.  
Apache Junction, AZ 85119

RECEIVED  
BLM AZ STATE OFFICE  
2018 JUN 21 P 12:31  
PHOENIX, ARIZONA  
BLM  
Date  
Stamp

The general course of this claim is N-S and it is situated in Mohave  
County, Arizona. This claim is 1500 feet in length and 600 feet in width.

20 Total Claim Acreage. This claim runs from the location monument on which this location notice  
is posted on the centerline of the claim approximately 20 feet in a N direction to the N  
end line and 1480 feet in a S direction to the S end line. This claim is marked by six  
monuments, one at each corner and one at the center of each end line of the claim.

The location monument on which this notice is posted is situated within Section 35, Township 21  
N, Range 15 W, Gila Salt River Base and Meridian, Arizona and this claim encompasses portions  
of the following quarter section(s), section(s), Township(s) and Range(s) SE 1/4 Section 35 T21N  
R15W & NW 1/4 Section 2 T20N, R15W

Gila Salt River Base and Meridian, Arizona.

The locality of this claim with reference to some natural object or permanent monument and additional information  
(if any) concerning its locality are as follows: The NE CORNER of claim is located  
8700 ft West and 800 ft North of survey monument located at  
NE Corner Section 1, T20N, R.15W, GSRB&M The above information is shown on the attached map.

DATED AND POSTED on the ground this 24 day of March, 2018.

LOCATOR(s)  AGENT

Print Name(s) Nicholas Barr

Signature(s) Nicholas Barr

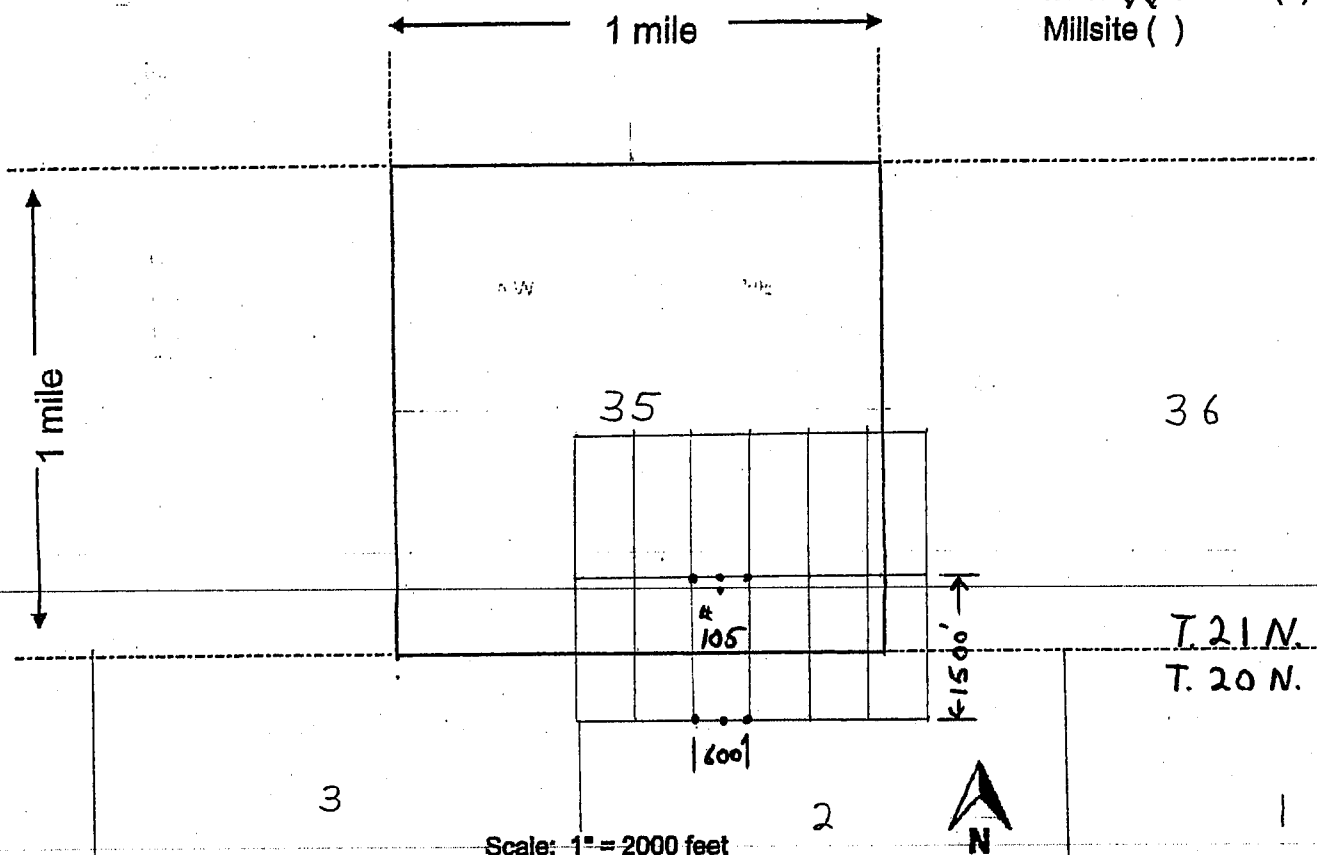
(Agent for Pershing Resources) Form MCF100

AN0451350



### MINING CLAIM MAP

Lode (X) Placer ( )  
Millsite ( )



Scale: 1" = 2000 feet

1. The above map depicts the EN # 105 mining claim, which is located in Section (s) 35, Township 20 N, Range 15 W, Gila and Salt River Base and Meridian, Mohave County, Arizona. Total claim acreage is 20 acres

2. The type of corner and location monuments used are as follows: 2" x 2" x 4 ft wood posts

3. The bearings and distances in degrees and feet between claim corners and to a public land survey monument are as depicted on the map.

4. If the claim is a placer or millsite claim with exterior limits conforming to legal subdivisions of the public survey, provide a legal description of the claim \_\_\_\_\_

Form MCF100a  
Revised July 2014

2

After recording return to:  
Pershing Resources  
200 S. Virginia St. 8th Floor  
Reno, Nevada 89501

FEE# 2018019609

OFFICIAL RECORDS  
OF MOHAVE COUNTY  
KRISTI BLAIR,  
COUNTY RECORDER



04/19/2018 03:36 PM Fee: \$10.00

PAGE: 1 of 2

LOCATION NOTICE FOR LODE MINING CLAIM

Amendment BLM Serial # \_\_\_\_\_

NOTICE IS HEREBY GIVEN that the \_\_\_\_\_  
EN# 106 lode mining claim has been located  
by Nicholas BARR (agent) whose current mailing  
address is 5441 E. Mining Camp St.  
Apache Junction, AZ 85119

RECEIVED  
BLM AZ STATE OFFICE  
2018 JUN 21 P 12:31  
PHOENIX, ARIZONA  
BLM  
Date  
Stamp

The general course of this claim is N-S and it is situated in Mohave  
County, Arizona. This claim is 1500 feet in length and 600 feet in width.

20 Total Claim Acreage. This claim runs from the location monument on which this location notice  
is posted on the centerline of the claim approximately 20 feet in a N direction to the N  
end line and 1480 feet in a S direction to the S end line. This claim is marked by six  
monuments, one at each corner and one at the center of each end line of the claim.

The location monument on which this notice is posted is situated within Section 35, Township 21  
N, Range 15 W, Gila Salt River Base and Meridian, Arizona and this claim encompasses portions  
of the following quarter section(s), section(s), Township(s) and Range(s) SE 1/4 Section 35  
T21N R15W & NW 1/4 Section 2 T20N, R15W  
Gila Salt River Base and Meridian, Arizona.

The locality of this claim with reference to some natural object or permanent monument and additional information  
(if any) concerning its locality are as follows: The NE CORNER of claim is located  
8100 ft West and 800 ft North of survey monument located at  
NE Corner Section 1, T20N, R.15W, GSRB & M The above information is shown on the attached map.

DATED AND POSTED on the ground this 24 day of March, 2018.

LOCATOR(s)  AGENT

Print Name(s) Nicholas Barr

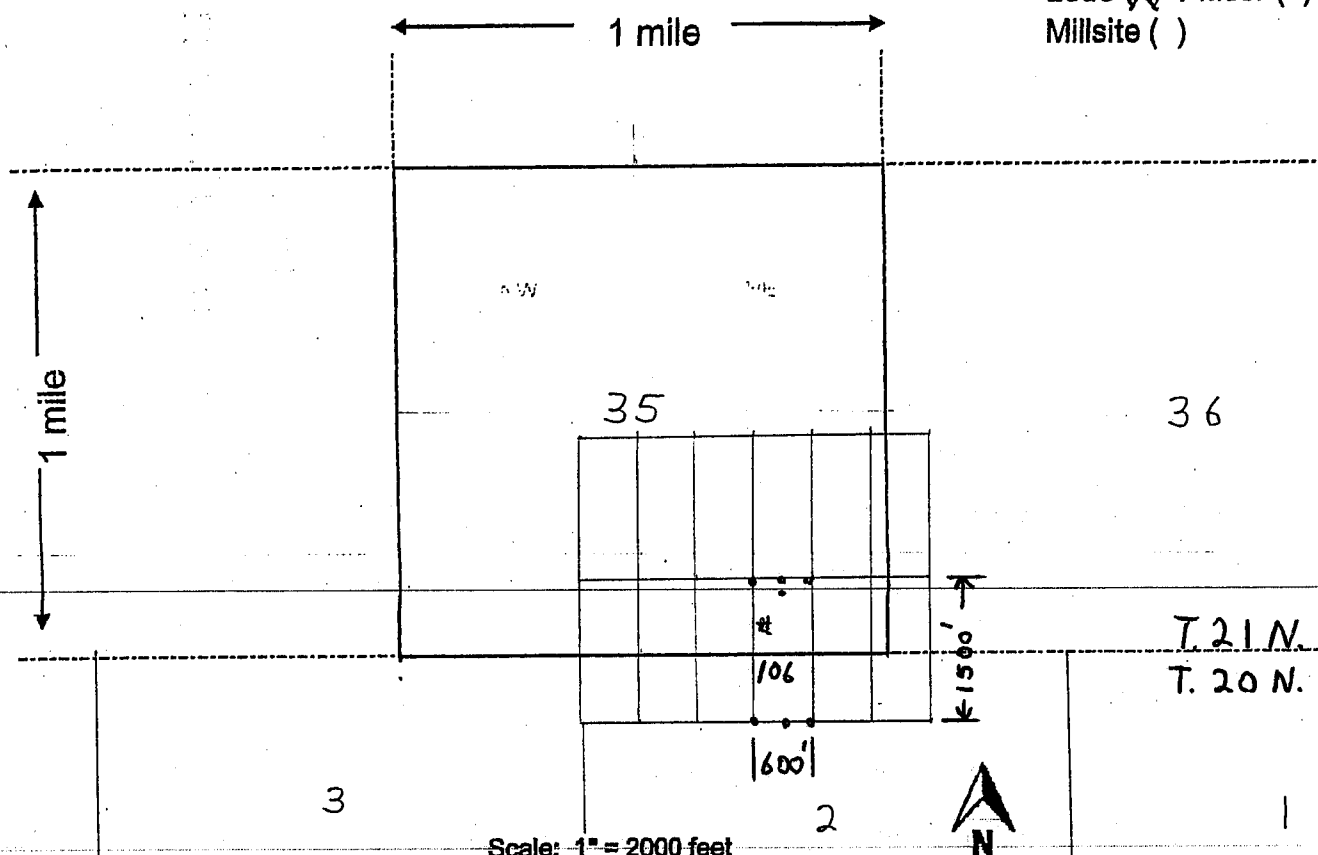
Signature(s) Nicholas Barr

(Agent for Pershing Resources) Form MCF100

AHC051351

**MINING CLAIM MAP**

Lode (X) Placer ( )  
Millsite ( )



Scale: 1" = 2000 feet

1. The above map depicts the EN # 106 mining claim, which is located in Section (s) 35, Township 21 N, Range 15 W, Gila and Salt River Base and Meridian, Mohave County, Arizona. Total claim acreage is 20 acres

2. The type of corner and location monuments used are as follows: 2" x 2" x 4 ft wood posts

3. The bearings and distances in degrees and feet between claim corners and to a public land survey monument are as depicted on the map.

4. If the claim is a placer or millsite claim with exterior limits conforming to legal subdivisions of the public survey, provide a legal description of the claim \_\_\_\_\_

Form MCF100a  
Revised July 2014

2

After recording return to:  
Pershing Resources  
200 S. Virginia St. 8th Floor  
Reno, Nevada 89501

FEE# 2018019610

OFFICIAL RECORDS  
OF MOHAVE COUNTY  
KRISTI BLAIR,  
COUNTY RECORDER



04/19/2018 03:36 PM Fee: \$10.00

PAGE: 1 of 2

LOCATION NOTICE FOR LODE MINING CLAIM

Amendment BLM Serial # \_\_\_\_\_

NOTICE IS HEREBY GIVEN that the  
EN # 107 lode mining claim has been located  
by Nicholas BARR (agent) whose current mailing  
address is 5441 E. Mining Camp St.  
Apache Junction, AZ 85119

The general course of this claim is N-S and it is situated in Mohave  
County, Arizona. This claim is 1500 feet in length and 600 feet in width.

20 Total Claim Acreage. This claim runs from the location monument on which this location notice  
is posted on the centerline of the claim approximately 20 feet in a N direction to the N  
end line and 1480 feet in a S direction to the S end line. This claim is marked by six  
monuments, one at each corner and one at the center of each end line of the claim.

The location monument on which this notice is posted is situated within Section 35, Township 21  
N, Range 15 W, Gila Salt River Base and Meridian, Arizona and this claim encompasses portions  
of the following quarter section(s), section(s), Township(s) and Range(s) SE 4 Section 35, T21N,  
R15W & NE 1/4 Section 2 T20N, R15W

Gila Salt River Base and Meridian, Arizona.

The locality of this claim with reference to some natural object or permanent monument and additional information  
(if any) concerning its locality are as follows: The NE CORNER of claim is located  
7500 ft. West and 800 ft. North of survey monument located at  
NE Corner Section 1, T20N, R.15W, GSRB & M  
The above information is shown on the attached map.

DATED AND POSTED on the ground this 24 day of March, 2018.

LOCATOR(s)  AGENT

Print Name(s) Nicholas Barr

Signature(s) Nicholas Barr

(Agent for Pershing Resources) Form MCF100

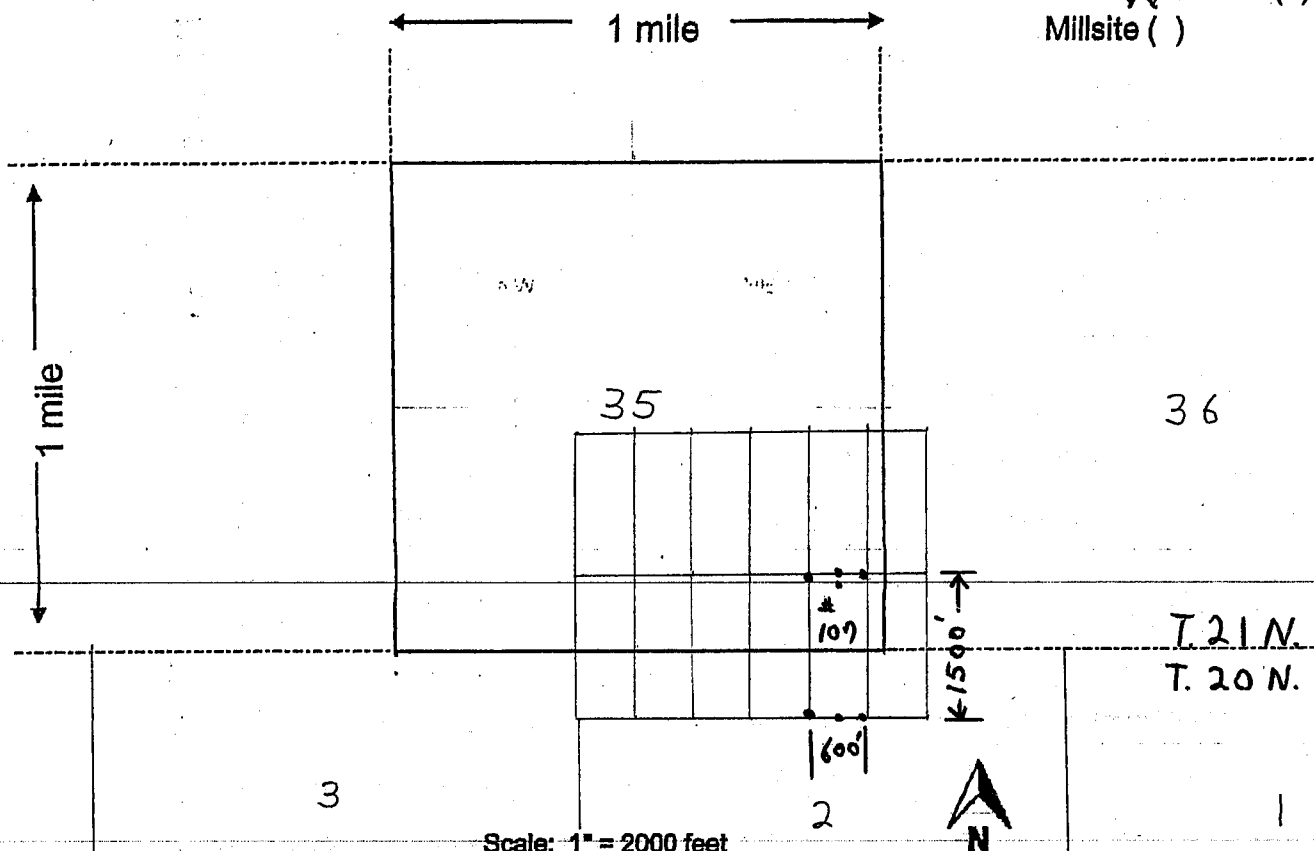
RECEIVED  
BLM AZ STATE OFFICE  
JUN 21 P 12:31  
PHOENIX, ARIZONA

AH0451352



**MINING CLAIM MAP**

Lode (X) Placer ( )  
Millsite ( )



Scale: 1" = 2000 feet

1. The above map depicts the EN # 107 mining claim, which is located in Section (s) 35 and 2, Township 20 N, Range 15 W, Gila and Salt River Base and Meridian, Mohave County, Arizona. Total claim acreage is 20 acres

2. The type of corner and location monuments used are as follows: 2" x 2" x 4 ft wood posts

3. The bearings and distances in degrees and feet between claim corners and to a public land survey monument are as depicted on the map.

4. If the claim is a placer or millsite claim with exterior limits conforming to legal subdivisions of the public survey, provide a legal description of the claim \_\_\_\_\_

Form MCF100a  
Revised July 2014



FEE# 2018019611

OFFICIAL RECORDS OF MOHAVE COUNTY KRISTI BLAIR, COUNTY RECORDER



04/19/2018 03:36 PM Fee: \$10.00

PAGE: 1 of 2

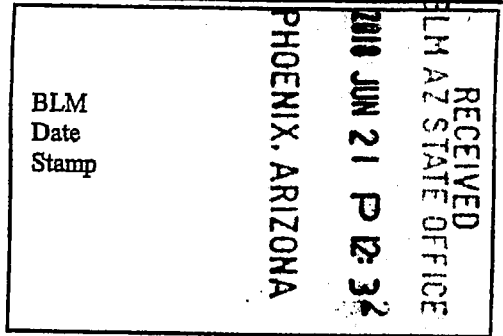
2

After recording return to: Pershing Resources 200 S. Virginia St. 8th Floor Reno, Nevada 89501

LOCATION NOTICE FOR LODE MINING CLAIM

Amendment BLM Serial #

NOTICE IS HEREBY GIVEN that the EN# 108 lode mining claim has been located by Nicholas BARR (agent) whose current mailing address is 5441 E. Mining Camp St. Apache Junction, AZ 85119



The general course of this claim is N-S and it is situated in Mohave County, Arizona. This claim is 1500 feet in length and 600 feet in width.

20 Total Claim Acreage. This claim runs from the location monument on which this location notice is posted on the centerline of the claim approximately 20 feet in a N direction to the N end line and 1480 feet in a S direction to the S end line. This claim is marked by six monuments, one at each corner and one at the center of each end line of the claim.

The location monument on which this notice is posted is situated within Section 36, Township 21 N, Range 15 W, Gila Salt River Base and Meridian, Arizona and this claim encompasses portions of the following quarter section(s), section(s), Township(s) and Range(s) SE 1/4 Sec 35 & SW 1/4 Sec 36 T21N R15W & NE 1/4 Section 2 T. 20N. R15W

Gila Salt River Base and Meridian, Arizona.

The locality of this claim with reference to some natural object or permanent monument and additional information (if any) concerning its locality are as follows: The NE CORNER of claim is located 6900 ft. West and 800 ft. North of survey monument located at NE Corner Section 1, T. 20N, R. 15W, GSRB & M. The above information is shown on the attached map.

DATED AND POSTED on the ground this 24 day of March, 2018.

LOCATOR(s) AGENT

Print Name(s) Nicholas Barr

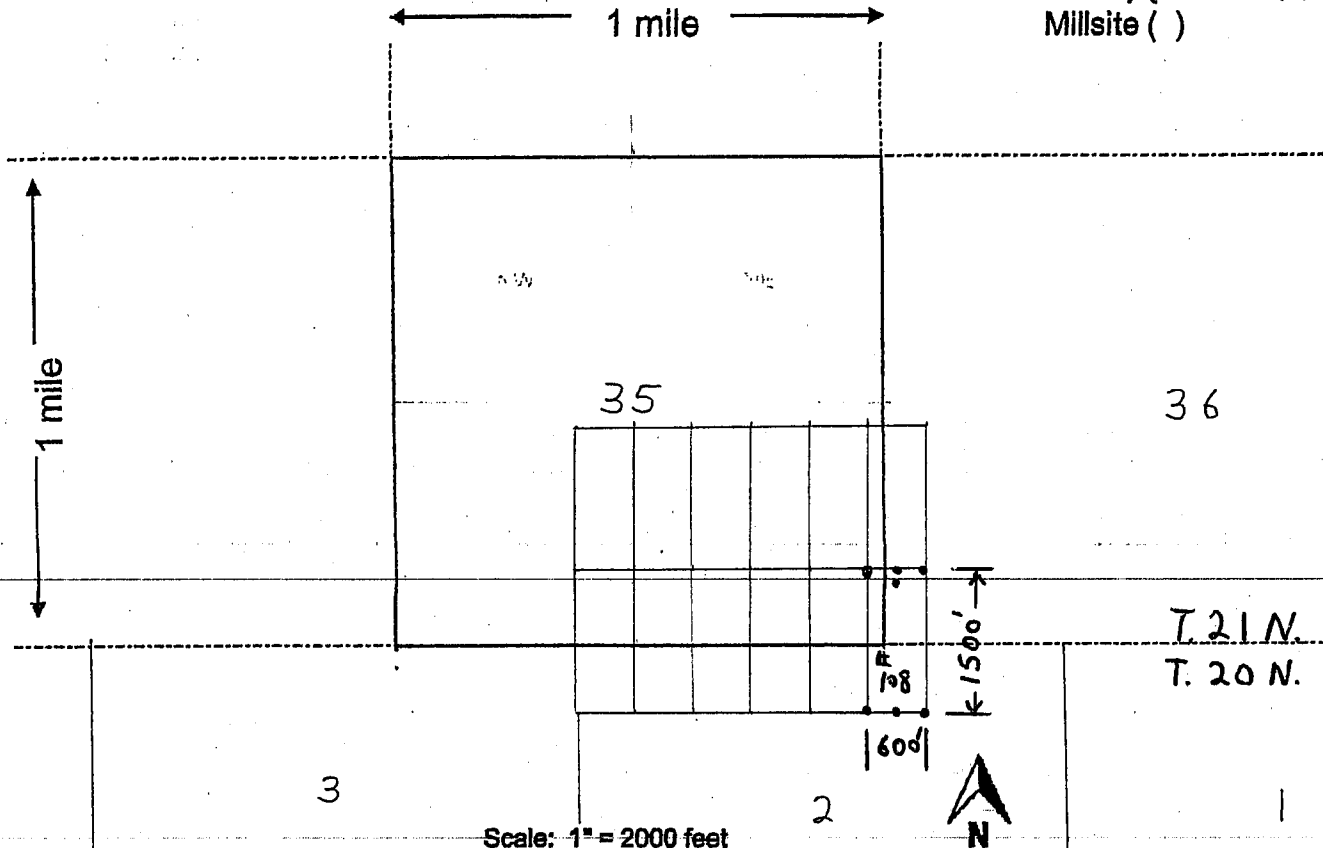
Signature(s) Nicholas Barr

(Agent for Pershing Resources) Form MCF100

AMC451353

**MINING CLAIM MAP**

Lode (X) Placer ( )  
Millsite ( )



Scale: 1" = 2000 feet

1. The above map depicts the EN # 108 mining claim, which is located in Section (s) 35 & 36, Township 20 N, Range 15 W, Gila and Salt River Base and Meridian, Mohave County, Arizona. Total claim acreage is 20 acres

2. The type of corner and location monuments used are as follows: 2" x 2" x 4 ft wood posts

3. The bearings and distances in degrees and feet between claim corners and to a public land survey monument are as depicted on the map.

4. If the claim is a placer or millsite claim with exterior limits conforming to legal subdivisions of the public survey, provide a legal description of the claim \_\_\_\_\_

Form MCF100a  
Revised July 2014

FEE# 2018019612

OFFICIAL RECORDS OF MOHAVE COUNTY  
KRISTI BLAIR, COUNTY RECORDER



04/19/2018 03:36 PM Fee: \$10.00

PAGE: 1 of 2

After recording return to:  
Pershing Resources  
200 S. Virginia St. 8th Floor  
Reno, Nevada 89501

LOCATION NOTICE FOR LODE MINING CLAIM

Amendment BLM Serial # \_\_\_\_\_

NOTICE IS HEREBY GIVEN that the \_\_\_\_\_  
EN # 110 lode mining claim has been located  
by Nicholas BARR (agent) whose current mailing  
address is 5441 E. Mining Camp St.  
Apache Junction, AZ 85119

RECEIVED  
BLM AZ STATE OFFICE  
2018 JUN 21 P 12:32  
PHOENIX, ARIZONA  
BLM  
Date  
Stamp

The general course of this claim is N-S and it is situated in Mohave  
County, Arizona. This claim is 1500 feet in length and 600 feet in width.

20 Total Claim Acreage. This claim runs from the location monument on which this location notice  
is posted on the centerline of the claim approximately 20 feet in a S direction to the S  
end line and 1480 feet in a N direction to the N end line. This claim is marked by six  
monuments, one at each corner and one at the center of each end line of the claim.

The location monument on which this notice is posted is situated within Section 2, Township 20  
N, Range 15 W, Gila Salt River Base and Meridian, Arizona and this claim encompasses portions  
of the following quarter section(s), section(s), Township(s) and Range(s) \_\_\_\_\_  
NW 1/4 Section 2 T. 20N. R. 15W.

Gila Salt River Base and Meridian, Arizona.

The locality of this claim with reference to some natural object or permanent monument and additional information  
(if any) concerning its locality are as follows: The NE CORNER of claim is located  
9300 ft WEST and 700 ft. South of survey monument located at  
NE Corner Section 1, T. 20N, R. 15W. GSRBM The above information is shown on the attached map.

DATED AND POSTED on the ground this 24 day of MARCH, 2018.

LOCATOR(s)  AGENT

Print Name(s) Nicholas Barr

Signature(s) Nicholas Barr

(Agent for Pershing Resources) Form MCF100

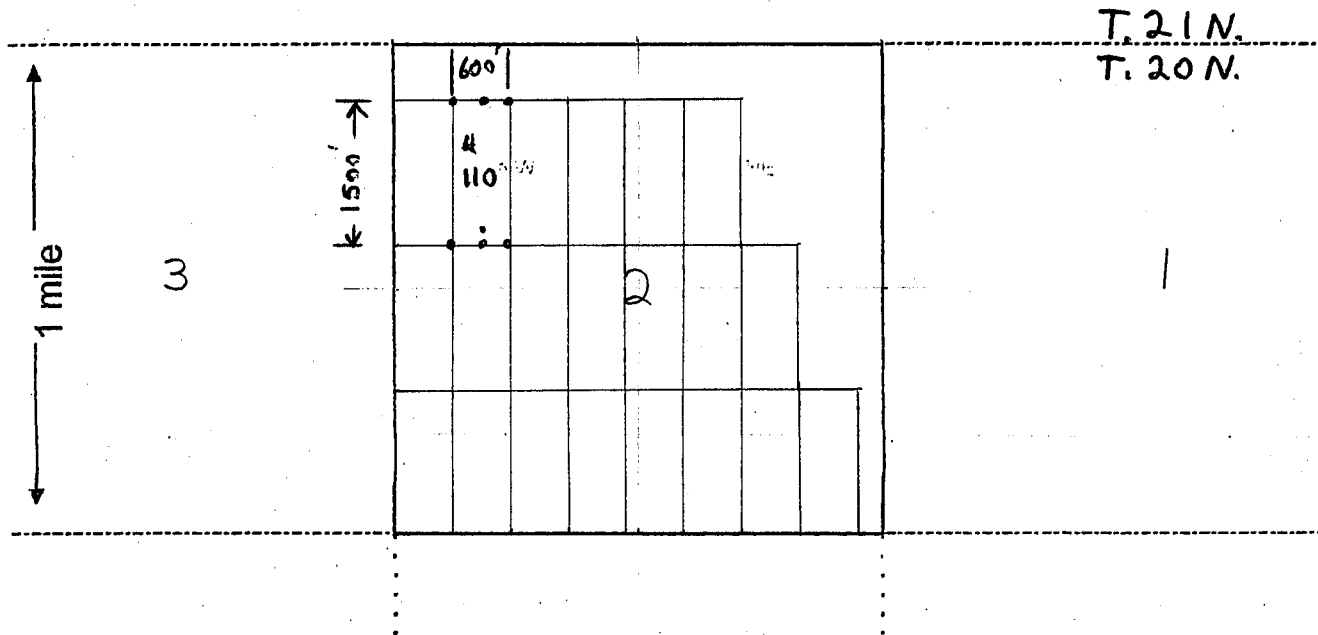
AHC451354



**MINING CLAIM MAP**

← 1 mile →

Lode (X) Placer ( )  
Millsite ( )



Scale: 1" = 2000 feet



1. The above map depicts the EN # 110 mining claim, which is located in Section (s) 2, Township 20 N, Range 15 W, Gila and Salt River Base and Meridian, Mohave County, Arizona. Total claim acreage is 20 acres

2. The type of corner and location monuments used are as follows: 2" x 2" x 4 ft wood posts

3. The bearings and distances in degrees and feet between claim corners and to a public land survey monument are as depicted on the map.

4. If the claim is a placer or millsite claim with exterior limits conforming to legal subdivisions of the public survey, provide a legal description of the claim \_\_\_\_\_

Form MCF100a  
Revised July 2014

This form is available from the Arizona Geology Survey and may be reproduced.

FEE# 2018019613

OFFICIAL RECORDS OF MOHAVE COUNTY KRISTI BLAIR COUNTY RECORDER



04/19/2018 03:36 PM Fee: \$10.00

PAGE: 1 of 2

After recording return to: Pershing Resources 200 S. Virginia St. 8th Floor Reno, Nevada 89501

LOCATION NOTICE FOR LODE MINING CLAIM

Amendment BLM Serial #

NOTICE IS HEREBY GIVEN that the EN # 111 lode mining claim has been located by Nicholas BARR (agent) whose current mailing address is 5471 E. Mining Camp St. Apache Junction, AZ 85119

RECEIVED BLM AZ STATE OFFICE PHOENIX, ARIZONA 2018 JUN 21 P 12:32 BLM Date Stamp

The general course of this claim is N-S and it is situated in Mohave County, Arizona. This claim is 1500 feet in length and 600 feet in width.

20 Total Claim Acreage. This claim runs from the location monument on which this location notice is posted on the centerline of the claim approximately 20 feet in a S direction to the S end line and 1480 feet in a N direction to the N end line. This claim is marked by six monuments, one at each corner and one at the center of each end line of the claim.

The location monument on which this notice is posted is situated within Section 2, Township 20 N, Range 15 W, Gila Salt River Base and Meridian, Arizona and this claim encompasses portions of the following quarter section(s), section(s), Township(s) and Range(s) NW 1/4 Section 2 T. 20 N. R. 15 W.

Gila Salt River Base and Meridian, Arizona.

The locality of this claim with reference to some natural object or permanent monument and additional information (if any) concerning its locality are as follows: The NE CORNER of claim is located 8700 ft. WEST and 700 ft. South of survey monument located at NE Corner Section 1, T. 20 N., R. 15 W., GSRB & M. The above information is shown on the attached map.

DATED AND POSTED on the ground this 24 day of MARCH, 2018.

LOCATOR(s) AGENT

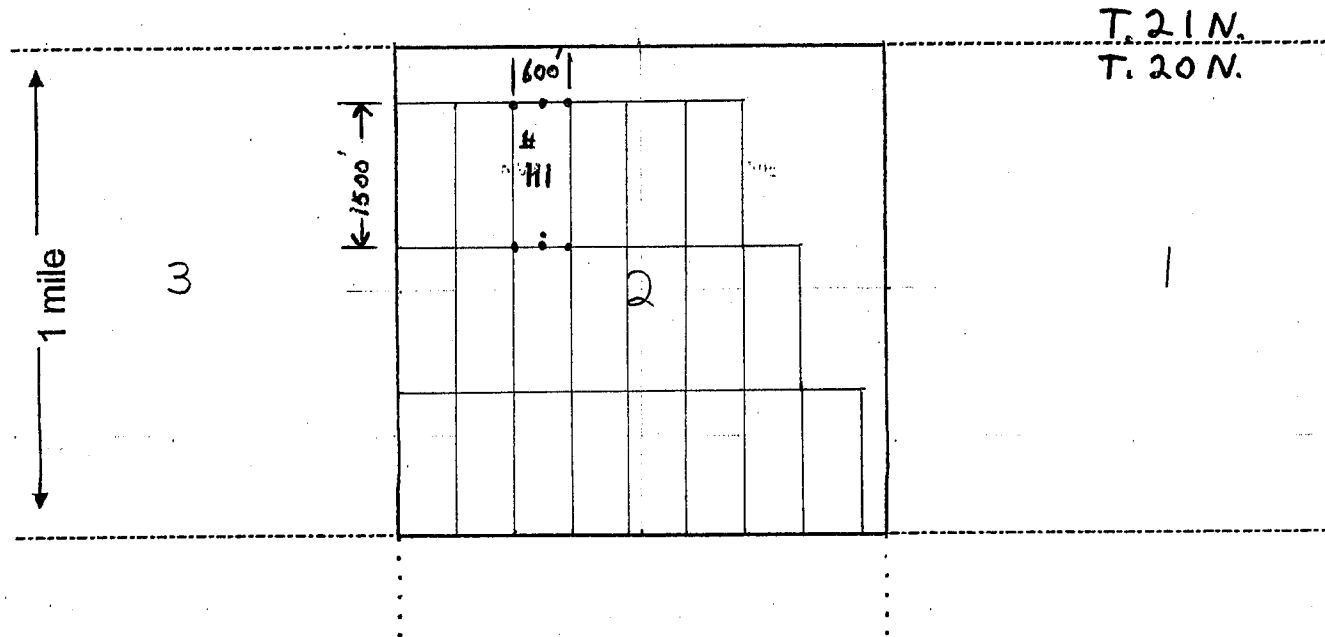
Print Name(s) Nicholas Barr Signature(s) Nicholas Barr (Agent for Pershing Resources) Form MCF100

ANCI 51355

**MINING CLAIM MAP**

Lode (X) Placer ( )  
Millsite ( )

← 1 mile →



Scale: 1" = 2000 feet



- The above map depicts the EN # 111 mining claim, which is located in Section (s) 2, Township 20 N, Range 15 W, Gila and Salt River Base and Meridian, Mohave County, Arizona. Total claim acreage is 20 acres
- The type of corner and location monuments used are as follows: 2" x 2" x 4 ft wood posts
- The bearings and distances in degrees and feet between claim corners and to a public land survey monument are as depicted on the map.
- If the claim is a placer or millsite claim with exterior limits conforming to legal subdivisions of the public survey, provide a legal description of the claim \_\_\_\_\_

Form MCF100a  
Revised July 2014

2

After recording return to:  
Pershing Resources  
200 S. Virginia St. 8th Floor  
Reno, Nevada 89501

FEE# 2018019614

OFFICIAL RECORDS  
OF MOHAVE COUNTY  
KRISTI BLAIR,  
COUNTY RECORDER



04/19/2018 03:36 PM Fee: \$10.00

PAGE: 1 of 2

RECEIVED  
BLM AZ STATE OFFICE  
2018 JUN 21 P 12:32  
PHOENIX, ARIZONA

LOCATION NOTICE FOR LODE MINING CLAIM

Amendment BLM Serial # \_\_\_\_\_

NOTICE IS HEREBY GIVEN that the \_\_\_\_\_

EN # 112 lode mining claim has been located  
by Nicholas BARR (agent) whose current mailing  
address is 5441 E. Mining Camp St.  
Apache Junction, AZ 85119

BLM  
Date  
Stamp

The general course of this claim is N-S and it is situated in Mohave  
County, Arizona. This claim is 1500 feet in length and 600 feet in width.

20 Total Claim Acreage. This claim runs from the location monument on which this location notice  
is posted on the centerline of the claim approximately 20 feet in a S direction to the S  
end line and 1480 feet in a N direction to the N end line. This claim is marked by six  
monuments, one at each corner and one at the center of each end line of the claim.

The location monument on which this notice is posted is situated within Section 2, Township 20  
N, Range 15 W, Gila Salt River Base and Meridian, Arizona and this claim encompasses portions  
of the following quarter section(s), section(s), Township(s) and Range(s) \_\_\_\_\_  
NW 1/4 Section 2 T. 20N, R. 15W.

Gila Salt River Base and Meridian, Arizona.

The locality of this claim with reference to some natural object or permanent monument and additional information  
(if any) concerning its locality are as follows: The NE CORNER of claim is located  
8100 ft. WEST and 700 ft. South of survey monument located at  
NE Corner Section 1, T. 20N, R. 15W, GSRB & M The above information is shown on the attached map.

DATED AND POSTED on the ground this 24 day of MARCH, 2018.

LOCATOR(s)  AGENT

Print Name(s) Nicholas Barr

Signature(s) Nicholas Barr

(Agent for Pershing Resources) Form MCF100

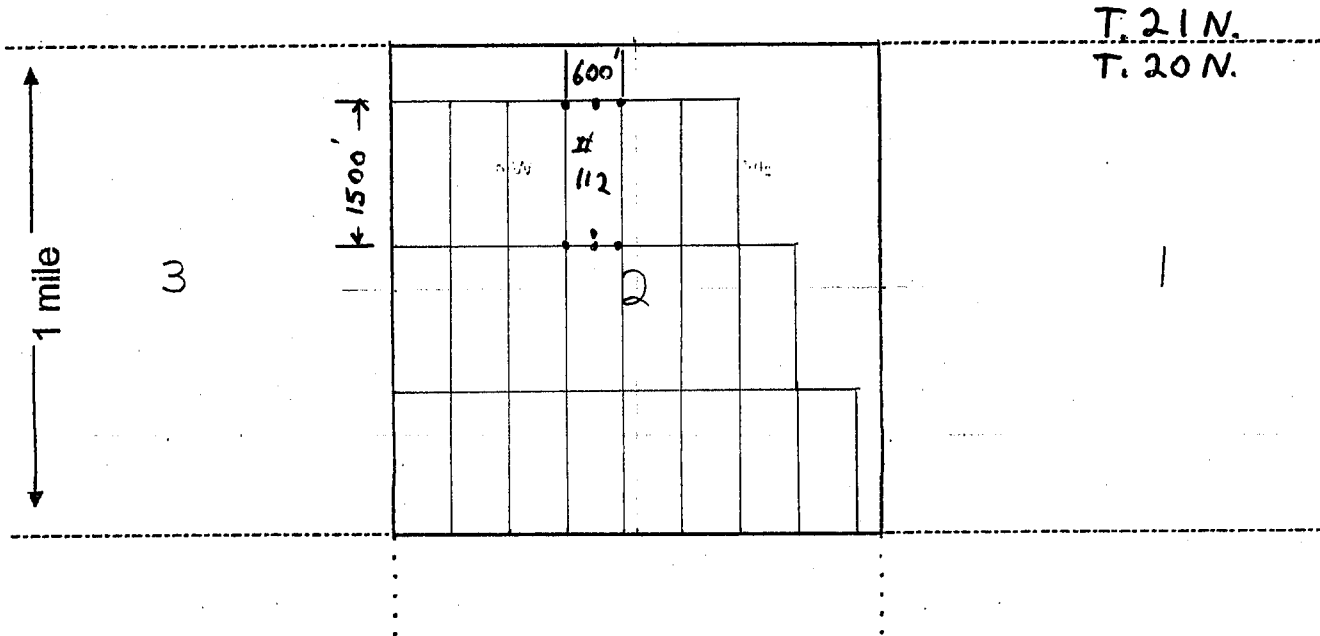
AHC451356



**MINING CLAIM MAP**

← 1 mile →

Lode (X) Placer ( )  
Millsite ( )



Scale: 1" = 2000 feet



- The above map depicts the EN # 112 mining claim, which is located in Section (s) 2, Township 20 N, Range 15 W, Gila and Salt River Base and Meridian, Mohave County, Arizona. Total claim acreage is 20 acres
- The type of corner and location monuments used are as follows: 2" x 2" x 4 ft wood posts
- The bearings and distances in degrees and feet between claim corners and to a public land survey monument are as depicted on the map.
- If the claim is a placer or millsite claim with exterior limits conforming to legal subdivisions of the public survey, provide a legal description of the claim \_\_\_\_\_

Form MCF100a  
Revised July 2014

This form is available from the Arizona Geology Survey and may be reproduced.

2

After recording return to:  
Pershing Resources  
200 S. Virginia St. 8th Floor  
Reno, Nevada 89501

FEE# 2018019615

OFFICIAL RECORDS  
OF MOHAVE COUNTY  
KRISTI BLAIR  
COUNTY RECORDER



04/19/2018 03:36 PM Fee: \$10.00

PAGE: 1 of 2

LOCATION NOTICE FOR LODE MINING CLAIM

Amendment BLM Serial # \_\_\_\_\_

NOTICE IS HEREBY GIVEN that the \_\_\_\_\_  
EN # 113 lode mining claim has been located  
by Nicholas BARR (agent) whose current mailing  
address is 5441 E. Mining Camp St.  
Apache Junction, AZ 85119

BLM Date Stamp	PHOENIX, ARIZONA	RECEIVED
		BLM AZ STATE OFFICE
		JUN 21 P 12:32

The general course of this claim is N-S and it is situated in Mohave  
County, Arizona. This claim is 1500 feet in length and 600 feet in width.

20 Total Claim Acreage. This claim runs from the location monument on which this location notice  
is posted on the centerline of the claim approximately 20 feet in a S direction to the S  
end line and 1480 feet in a N direction to the N end line. This claim is marked by six  
monuments, one at each corner and one at the center of each end line of the claim.

The location monument on which this notice is posted is situated within Section 2, Township 20  
N, Range 15 W, Gila Salt River Base and Meridian, Arizona and this claim encompasses portions  
of the following quarter section(s), section(s), Township(s) and Range(s) \_\_\_\_\_  
NE & NW 1/4 Section 2 T. 20N. R. 15W.

Gila Salt River Base and Meridian, Arizona.

The locality of this claim with reference to some natural object or permanent monument and additional information  
(if any) concerning its locality are as follows: The NE CORNER of claim is located  
7500 ft. WEST and 700 ft. South of survey monument located at  
NE Corner Section 1, T. 20N, R. 15W. GSRBEM The above information is shown on the attached map.

DATED AND POSTED on the ground this 24 day of MARCH, 2018.

LOCATOR(s)  AGENT

Print Name(s) Nicholas Barr

Signature(s) Nicholas Barr

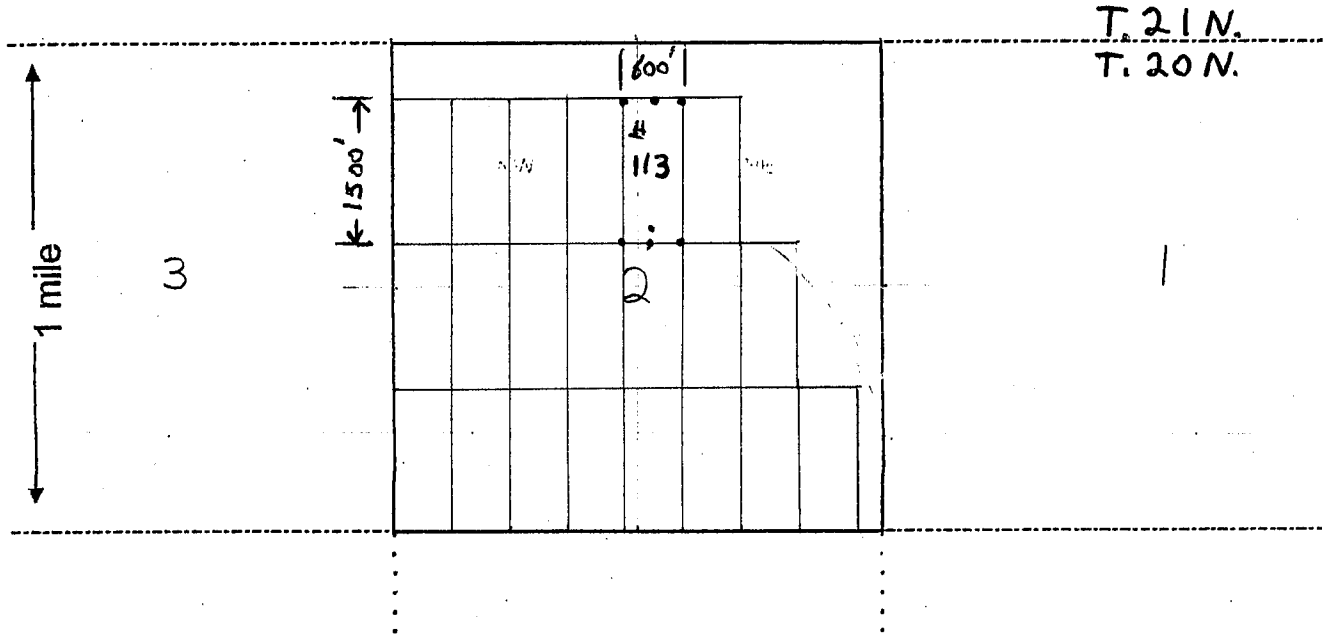
(Agent for Pershing Resources) Form MCF100

AMC451357

**MINING CLAIM MAP**

← 1 mile →

Lode (X) Placer ( )  
Millsite ( )



Scale: 1" = 2000 feet



1. The above map depicts the EN # 113 mining claim, which is located in Section (s) 2, Township 20 N, Range 15 W, Gila and Salt River Base and Meridian, Mohave County, Arizona. Total claim acreage is 20 acres
2. The type of corner and location monuments used are as follows: 2" x 2" x 4 ft wood posts
3. The bearings and distances in degrees and feet between claim corners and to a public land survey monument are as depicted on the map.
4. If the claim is a placer or millsite claim with exterior limits conforming to legal subdivisions of the public survey, provide a legal description of the claim \_\_\_\_\_

Form MCF100a  
Revised July 2014

2

After recording return to:  
Pershing Resources  
200 S. Virginia St. 8th Floor  
Reno, Nevada 89501

FEE# 2018019616

OFFICIAL RECORDS  
OF MOHAVE COUNTY  
KRISTI BLAIR,  
COUNTY RECORDER



04/19/2018 03:36 PM Fee: \$10.00

PAGE: 1 of 2

LOCATION NOTICE FOR LODE MINING CLAIM

Amendment BLM Serial # \_\_\_\_\_

NOTICE IS HEREBY GIVEN that the \_\_\_\_\_  
EN# 114 lode mining claim has been located  
by Nicholas BARR (agent) whose current mailing  
address is 5441 E. Mining Camp St.  
Apache Junction, AZ 85119

RECEIVED  
BLM AZ STATE OFFICE  
2018 JUN 21 P 12:32  
PHOENIX, ARIZONA  
BLM  
Date  
Stamp

The general course of this claim is N-S and it is situated in Mohave  
County, Arizona. This claim is 1500 feet in length and 600 feet in width.

20 Total Claim Acreage. This claim runs from the location monument on which this location notice  
is posted on the centerline of the claim approximately 20 feet in a S direction to the S  
end line and 1480 feet in a N direction to the N end line. This claim is marked by six  
monuments, one at each corner and one at the center of each end line of the claim.

The location monument on which this notice is posted is situated within Section 2, Township 20  
N, Range 15 W, Gila Salt River Base and Meridian, Arizona and this claim encompasses portions  
of the following quarter section(s), section(s), Township(s) and Range(s) \_\_\_\_\_  
NE 1/4 Section 2 T. 20N, R. 15W.

Gila Salt River Base and Meridian, Arizona.

The locality of this claim with reference to some natural object or permanent monument and additional information  
(if any) concerning its locality are as follows: The NE CORNER of claim is located  
6900 ft. WEST and 700 ft. South of survey monument located at  
NE Corner Section 1, T. 20N, R. 15W, GSRB & M The above information is shown on the attached map.

DATED AND POSTED on the ground this 24 day of MARCH, 2018.

LOCATOR(s)  AGENT

Print Name(s) Nicholas Barr

Signature(s) Nicholas Barr

(Agent for Pershing Resources) Form MCF100

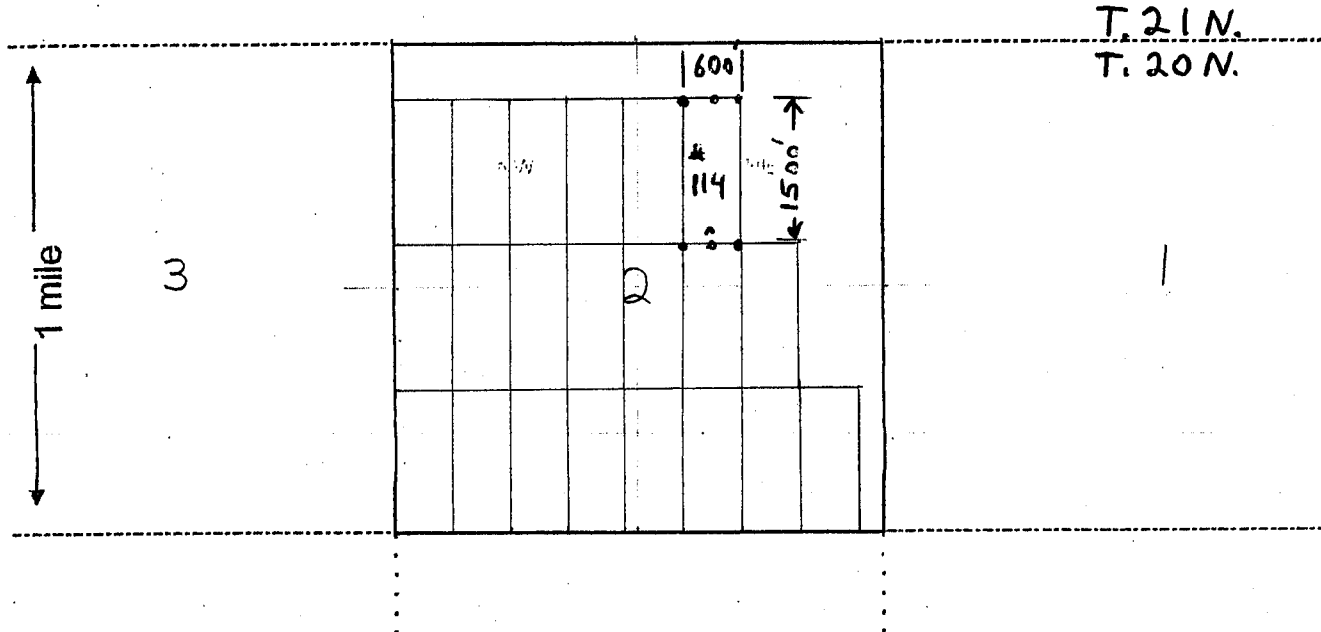
AMC451358



**MINING CLAIM MAP**

← 1 mile →

Lode (X) Placer ( )  
Millsite ( )



Scale: 1" = 2000 feet



- The above map depicts the EN # 114 mining claim, which is located in Section (s) 2, Township 20 N, Range 15 W, Gila and Salt River Base and Meridian, Mohave County, Arizona. Total claim acreage is 20 acres
- The type of corner and location monuments used are as follows: 2" x 2" x 4 ft wood posts
- The bearings and distances in degrees and feet between claim corners and to a public land survey monument are as depicted on the map.
- If the claim is a placer or millsite claim with exterior limits conforming to legal subdivisions of the public survey, provide a legal description of the claim \_\_\_\_\_

Form MCF100a  
Revised July 2014

FEE# 2018019617

OFFICIAL RECORDS OF MOHAVE COUNTY KRISTI BLAIR, COUNTY RECORDER



04/19/2018 03:36 PM Fee: \$10.00

PAGE: 1 of 2

N

After recording return to: Pershing Resources 200 S. Virginia St. 8th Floor Reno, Nevada 89501

LOCATION NOTICE FOR LODE MINING CLAIM

Amendment BLM Serial #

NOTICE IS HEREBY GIVEN that the EN # 116 lode mining claim has been located

by Nicholas BARR (agent) whose current mailing address is 5441 E. Mining Camp St. Apache Junction, AZ 85119

RECEIVED BLM AZ STATE OFFICE PHOENIX, ARIZONA 2018 JUN 21 P 12:32 BLM Date Stamp

The general course of this claim is N-S and it is situated in Mohave County, Arizona. This claim is 1500 feet in length and 600 feet in width.

20 Total Claim Acreage. This claim runs from the location monument on which this location notice is posted on the centerline of the claim approximately 20 feet in a N direction to the N end line and 1480 feet in a S direction to the S end line. This claim is marked by six monuments, one at each corner and one at the center of each end line of the claim.

The location monument on which this notice is posted is situated within Section 2, Township 20 N, Range 15 W, Gila Salt River Base and Meridian, Arizona and this claim encompasses portions of the following quarter section(s), section(s), Township(s) and Range(s) NW 1/4 SW 1/4 Section 2 T. 20N, R. 15W.

Gila Salt River Base and Meridian, Arizona.

The locality of this claim with reference to some natural object or permanent monument and additional information (if any) concerning its locality are as follows: The NE CORNER of claim is located 9300 ft. WEST and 2200 ft. South of survey monument located at NE Corner Section 1, T. 20N, R. 15W, GSRBM. The above information is shown on the attached map.

DATED AND POSTED on the ground this 24 day of MARCH, 2018.

LOCATOR(s) AGENT

Print Name(s) Nicholas Barr

Signature(s) Nicholas Barr

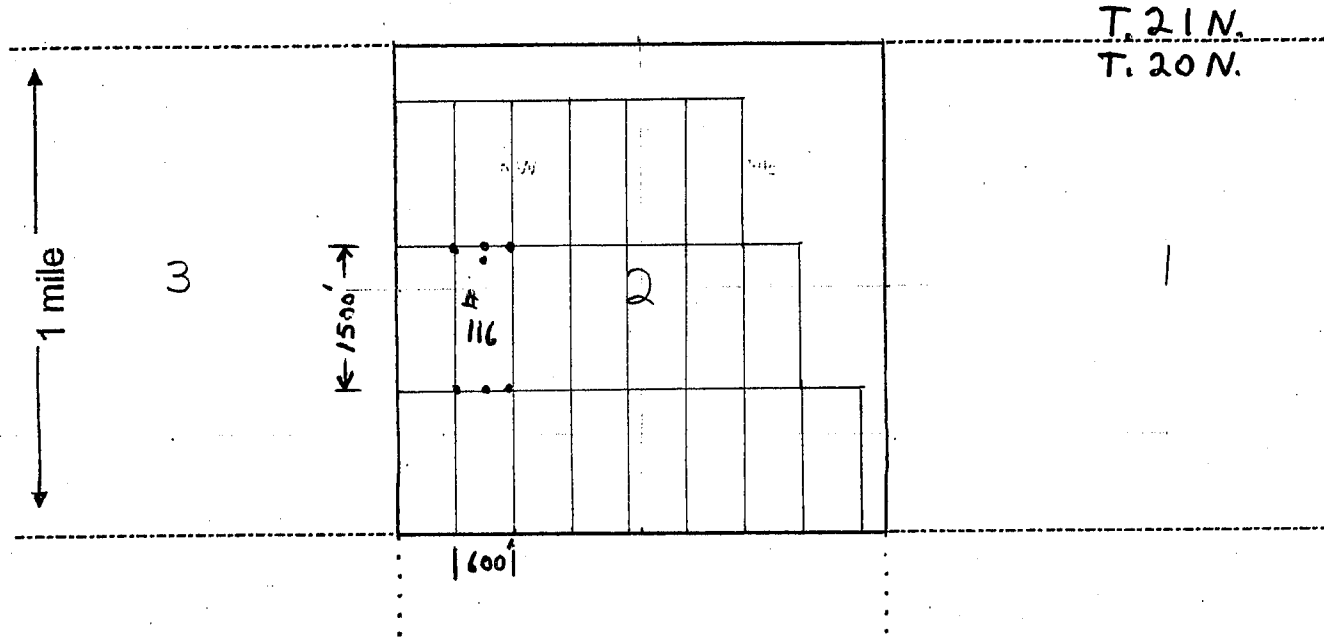
(Agent for Pershing Resources) Form MCF100

ARC451359

**MINING CLAIM MAP**

Lode (X) Placer ( )  
Millsite ( )

← 1 mile →



Scale: 1" = 2000 feet



- The above map depicts the EN # 116 mining claim, which is located in Section (s) 2, Township 20 N, Range 15 W, Gila and Salt River Base and Meridian, Mohave County, Arizona. Total claim acreage is 20 acres
- The type of corner and location monuments used are as follows: 2" x 2" x 4 ft wood posts
- The bearings and distances in degrees and feet between claim corners and to a public land survey monument are as depicted on the map.
- If the claim is a placer or millsite claim with exterior limits conforming to legal subdivisions of the public survey, provide a legal description of the claim \_\_\_\_\_

Form MCF100a  
Revised July 2014

2

After recording return to:  
Pershing Resources  
200 S. Virginia St. 8th Floor  
Reno, Nevada 89501

FEE# 2018019618

OFFICIAL RECORDS  
OF MOHAVE COUNTY  
KRISTI BLAIR,  
COUNTY RECORDER



04/19/2018 03:36 PM Fee: \$10.00

PAGE: 1 of 2

RECEIVED  
BLM AZ STATE OFFICE  
JUN 21 P 12:32  
PHOENIX, ARIZONA

LOCATION NOTICE FOR LODE MINING CLAIM

Amendment BLM Serial # \_\_\_\_\_

NOTICE IS HEREBY GIVEN that the \_\_\_\_\_  
EN # 117 lode mining claim has been located  
by Nicholas BARR (agent) whose current mailing  
address is 5441 E. Mining Camp St.  
Apache Junction, AZ 85119

BLM  
Date  
Stamp

The general course of this claim is N-S and it is situated in Mohave  
County, Arizona. This claim is 1500 feet in length and 600 feet in width.

20 Total Claim Acreage. This claim runs from the location monument on which this location notice  
is posted on the centerline of the claim approximately 20 feet in a N direction to the N  
end line and 1480 feet in a S direction to the S end line. This claim is marked by six  
monuments, one at each corner and one at the center of each end line of the claim.

The location monument on which this notice is posted is situated within Section 2, Township 20  
N, Range 15 W, Gila Salt River Base and Meridian, Arizona and this claim encompasses portions  
of the following quarter section(s), section(s), Township(s) and Range(s) \_\_\_\_\_  
NW 1SW 1/4 Section 2 T. 20N. R. 15W.

Gila Salt River Base and Meridian, Arizona.

The locality of this claim with reference to some natural object or permanent monument and additional information  
(if any) concerning its locality are as follows: The NE CORNER of claim is located  
8700 ft. WEST and 2200 ft. South of survey monument located at  
NE Corner Section 1, T. 20N, R. 15W, GSRB & M The above information is shown on the attached map.

DATED AND POSTED on the ground this 24 day of MARCH, 2018.

LOCATOR(s)  AGENT

Print Name(s) Nicholas Barr

Signature(s) Nicholas Barr

(Agent for Pershing Resources) Form MCF100

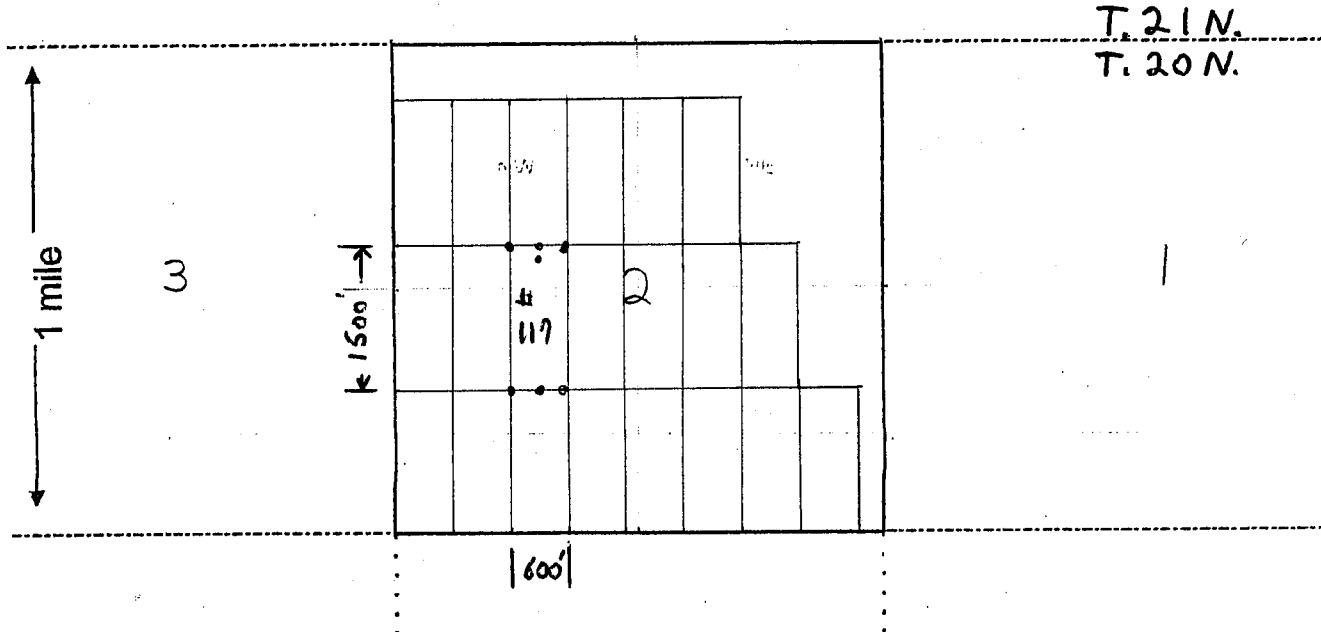
ARC451360



**MINING CLAIM MAP**

Lode (X) Placer ( )  
Millsite ( )

← 1 mile →



Scale: 1" = 2000 feet



- The above map depicts the EN # 117 mining claim, which is located in Section (s) 2, Township 20 N, Range 15 W, Gila and Salt River Base and Meridian, Mohave County, Arizona. Total claim acreage is 20 acres
- The type of corner and location monuments used are as follows: 2" x 2" x 4 ft wood posts
- The bearings and distances in degrees and feet between claim corners and to a public land survey monument are as depicted on the map.
- If the claim is a placer or millsite claim with exterior limits conforming to legal subdivisions of the public survey, provide a legal description of the claim \_\_\_\_\_

Form MCF100a  
Revised July 2014

FEE# 2018019619

OFFICIAL RECORDS OF MOHAVE COUNTY KRISTI BLAIR, COUNTY RECORDER



04/19/2018 03:36 PM Fee: \$10.00

PAGE: 1 of 2

After recording return to: Pershing Resources 200 S. Virginia St. 8th Floor Reno, Nevada 89501

LOCATION NOTICE FOR LODE MINING CLAIM

Amendment BLM Serial #

NOTICE IS HEREBY GIVEN that the EN # 118 lode mining claim has been located by Nicholas BARR (agent) whose current mailing address is 5441 E. Mining Camp St. Apache Junction, AZ 85119

RECEIVED BLM AZ STATE OFFICE PHOENIX, ARIZONA 2018 JUN 21 P 12:32 BLM Date Stamp

The general course of this claim is N-S and it is situated in Mohave County, Arizona. This claim is 1500 feet in length and 600 feet in width.

20 Total Claim Acreage. This claim runs from the location monument on which this location notice is posted on the centerline of the claim approximately 20 feet in a N direction to the N end line and 1480 feet in a S direction to the S end line. This claim is marked by six monuments, one at each corner and one at the center of each end line of the claim.

The location monument on which this notice is posted is situated within Section 2, Township 20 N, Range 15 W, Gila Salt River Base and Meridian, Arizona and this claim encompasses portions of the following quarter section(s), section(s), Township(s) and Range(s) NW 1/4 Section 2 T. 20N, R. 15W.

Gila Salt River Base and Meridian, Arizona.

The locality of this claim with reference to some natural object or permanent monument and additional information (if any) concerning its locality are as follows: The NE CORNER of claim is located 8100 ft WEST and 2200 ft. South of survey monument located at NE Corner Section 1, T. 20N, R. 15W, GSRBM. The above information is shown on the attached map.

DATED AND POSTED on the ground this 24 day of MARCH, 2018.

LOCATOR(s) AGENT

Print Name(s) Nicholas Barr Signature(s) Nicholas Barr

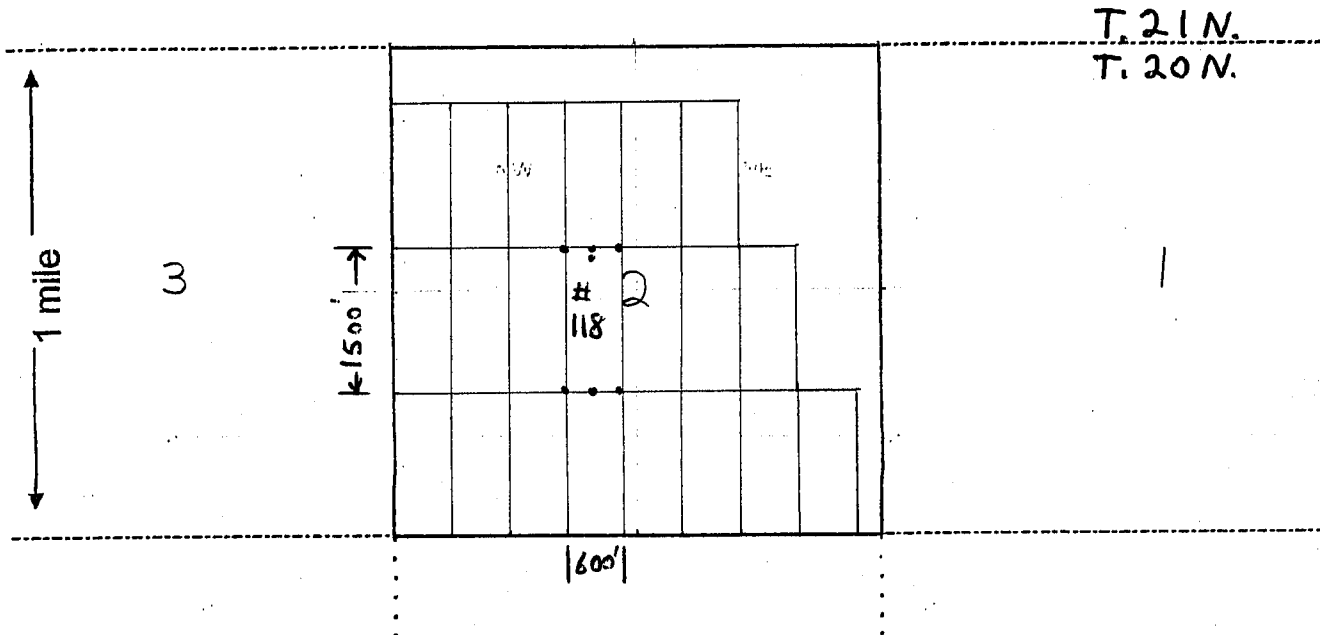
(Agent for Pershing Resources) Form MCF100

AHC451361

**MINING CLAIM MAP**

Lode (X) Placer ( )  
Millsite ( )

← 1 mile →



Scale: 1" = 2000 feet



- The above map depicts the EN # 118 mining claim, which is located in Section (s) 2, Township 20 N, Range 15 W, Gila and Salt River Base and Meridian, Mohave County, Arizona. Total claim acreage is 20 acres
- The type of corner and location monuments used are as follows: 2" x 2" x 4 ft wood posts
- The bearings and distances in degrees and feet between claim corners and to a public land survey monument are as depicted on the map.
- If the claim is a placer or millsite claim with exterior limits conforming to legal subdivisions of the public survey, provide a legal description of the claim \_\_\_\_\_

Form MCF100a  
Revised July 2014



FEE# 2018019620

OFFICIAL RECORDS OF MOHAVE COUNTY KRISTI BLAIR, COUNTY RECORDER



04/19/2018 03:36 PM Fee: \$10.00

PAGE: 1 of 2

2

After recording return to: Pershing Resources 200 S. Virginia St. 8th Floor Reno, Nevada 89501

LOCATION NOTICE FOR LODE MINING CLAIM

Amendment BLM Serial #

NOTICE IS HEREBY GIVEN that the EN # 119 lode mining claim has been located by Nicholas BARR (agent) whose current mailing address is 5441 E. Mining Camp St. Apache Junction, AZ 85119

RECEIVED BLM AZ STATE OFFICE 2018 JUN 21 P 12:32 PHOENIX, ARIZONA BLM Date Stamp

The general course of this claim is N-S and it is situated in Mohave County, Arizona. This claim is 1500 feet in length and 600 feet in width.

20 Total Claim Acreage. This claim runs from the location monument on which this location notice is posted on the centerline of the claim approximately 20 feet in a N direction to the N end line and 1480 feet in a S direction to the S end line. This claim is marked by six monuments, one at each corner and one at the center of each end line of the claim.

The location monument on which this notice is posted is situated within Section 2, Township 20 N, Range 15 W, Gila Salt River Base and Meridian, Arizona and this claim encompasses portions of the following quarter section(s), section(s), Township(s) and Range(s)

NE, SE, SW & NW 1/4 Section 2 T. 20 N, R. 15 W.

Gila Salt River Base and Meridian, Arizona.

The locality of this claim with reference to some natural object or permanent monument and additional information (if any) concerning its locality are as follows: The NE CORNER of claim is located 7500 ft WEST and 2200 ft. South of survey monument located at NE Corner Section 1, T. 20 N, R. 15 W, GSRB & M. The above information is shown on the attached map.

DATED AND POSTED on the ground this 24 day of MARCH, 2018.

LOCATOR(s) AGENT

Print Name(s) Nicholas Barr

Signature(s) Nicholas Barr

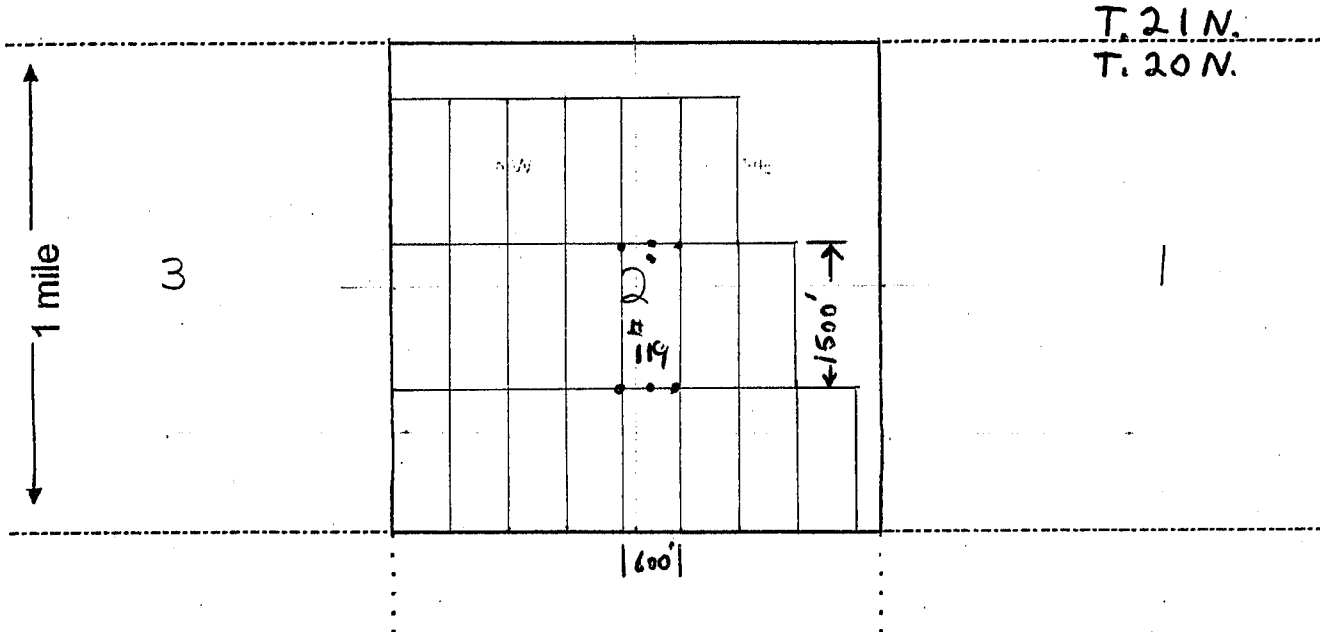
(Agent for Pershing Resources) Form MCF100

AHC451362

**MINING CLAIM MAP**

← 1 mile →

Lode (X) Placer ( )  
Millsite ( )



Scale: 1" = 2000 feet



1. The above map depicts the EN # 119 mining claim, which is located in Section (s) 2, Township 20 N, Range 15 W, Gila and Salt River Base and Meridian, Mohave County, Arizona. Total claim acreage is 20 acres
2. The type of corner and location monuments used are as follows: 2" x 2" x 4 ft wood posts
3. The bearings and distances in degrees and feet between claim corners and to a public land survey monument are as depicted on the map.
4. If the claim is a placer or millsite claim with exterior limits conforming to legal subdivisions of the public survey, provide a legal description of the claim \_\_\_\_\_

Form MCF100a  
Revised July 2014





FEE# 2018019621

OFFICIAL RECORDS OF MOHAVE COUNTY KRISTI BLAIR, COUNTY RECORDER



04/19/2018 03:36 PM Fee: \$10.00

PAGE: 1 of 2

2

After recording return to: Pershing Resources 200 S. Virginia St. 8th Floor Reno, Nevada 89501

LOCATION NOTICE FOR LODE MINING CLAIM

Amendment BLM Serial #

NOTICE IS HEREBY GIVEN that the EN# 120 lode mining claim has been located

by Nicholas BARR (agent) whose current mailing address is 5441 E. Mining Camp St. Apache Junction, AZ 85119

RECEIVED BLM AZ STATE OFFICE PHOENIX, ARIZONA 2018 JUN 21 P 12:32

The general course of this claim is N-S and it is situated in Mohave County, Arizona. This claim is 1500 feet in length and 600 feet in width.

20 Total Claim Acreage. This claim runs from the location monument on which this location notice is posted on the centerline of the claim approximately 20 feet in a N direction to the N end line and 1480 feet in a S direction to the S end line. This claim is marked by six monuments, one at each corner and one at the center of each end line of the claim.

The location monument on which this notice is posted is situated within Section 2, Township 20 N, Range 15 W, Gila Salt River Base and Meridian, Arizona and this claim encompasses portions of the following quarter section(s), section(s), Township(s) and Range(s)

NE & SE 1/4 Section 2 T. 20N, R. 15W

Gila Salt River Base and Meridian, Arizona.

The locality of this claim with reference to some natural object or permanent monument and additional information (if any) concerning its locality are as follows: The NE CORNER of claim is located 6900 ft WEST and 2200 ft South of survey monument located at NE Corner Section 1, T. 20N, R. 15W, GSRB&M. The above information is shown on the attached map.

DATED AND POSTED on the ground this 24 day of MARCH, 2018.

LOCATOR(s) AGENT

Print Name(s) Nicholas Barr

Signature(s) Nicholas Barr

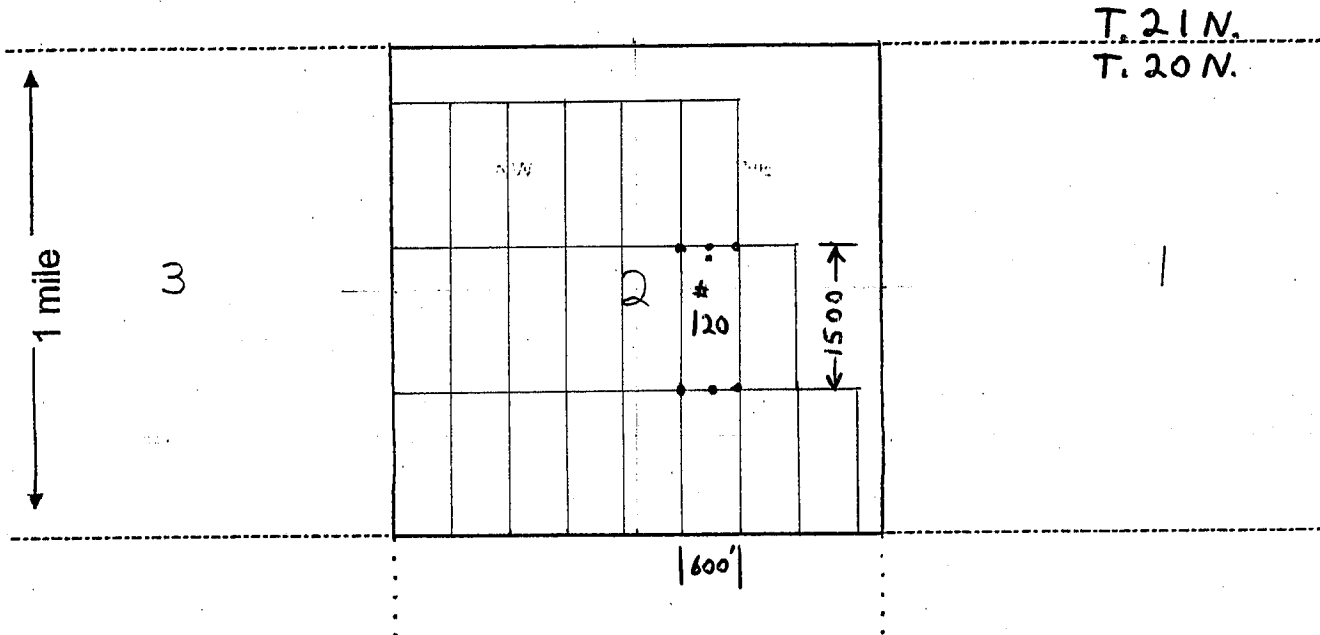
(Agent for Pershing Resources) Form MCF100

ARC451363

**MINING CLAIM MAP**

Lode (X) Placer ( )  
Millsite ( )

← 1 mile →



Scale: 1" = 2000 feet



- The above map depicts the EN # 120 mining claim, which is located in Section (s) 2, Township 20 N, Range 15 W, Gila and Salt River Base and Meridian, Mohave County, Arizona. Total claim acreage is 20 acres
- The type of corner and location monuments used are as follows: 2" x 2" x 4 ft wood posts
- The bearings and distances in degrees and feet between claim corners and to a public land survey monument are as depicted on the map.
- If the claim is a placer or millsite claim with exterior limits conforming to legal subdivisions of the public survey, provide a legal description of the claim \_\_\_\_\_

Form MCF100a  
Revised July 2014



FEE# 2018019622

OFFICIAL RECORDS OF MOHAVE COUNTY KRISTI BLAIR, COUNTY RECORDER



04/19/2018 03:36 PM Fee: \$10.00

PAGE: 1 of 2

N

After recording return to: Pershing Resources 200 S. Virginia St. 8th Floor Reno, Nevada 89501

LOCATION NOTICE FOR LODE MINING CLAIM

Amendment BLM Serial #

NOTICE IS HEREBY GIVEN that the EN# 121 lode mining claim has been located by Nicholas BARR (agent) whose current mailing address is 5441 E. Mining Camp St. Apache Junction, AZ 85119

RECEIVED BLM AZ STATE OFFICE PHOENIX, ARIZONA JUN 21 P 12:32 BLM Date Stamp

The general course of this claim is N-S and it is situated in Mohave County, Arizona. This claim is 1500 feet in length and 600 feet in width.

20 Total Claim Acreage. This claim runs from the location monument on which this location notice is posted on the centerline of the claim approximately 20 feet in a N direction to the N end line and 1480 feet in a S direction to the S end line. This claim is marked by six monuments, one at each corner and one at the center of each end line of the claim.

The location monument on which this notice is posted is situated within Section 2, Township 20 N, Range 15 W, Gila Salt River Base and Meridian, Arizona and this claim encompasses portions of the following quarter section(s), section(s), Township(s) and Range(s)

NE & SE 1/4 Section 2 T. 20N, R. 15W

Gila Salt River Base and Meridian, Arizona.

The locality of this claim with reference to some natural object or permanent monument and additional information (if any) concerning its locality are as follows: The NE CORNER of claim is located 6300 ft WEST and 2200 ft South of survey monument located at NE Corner Section 1, T. 20N, R. 15W, GSRB & M. The above information is shown on the attached map.

DATED AND POSTED on the ground this 24 day of MARCH, 2018.

LOCATOR(s) AGENT

Print Name(s) Nicholas Barr

Signature(s) Nicholas Barr

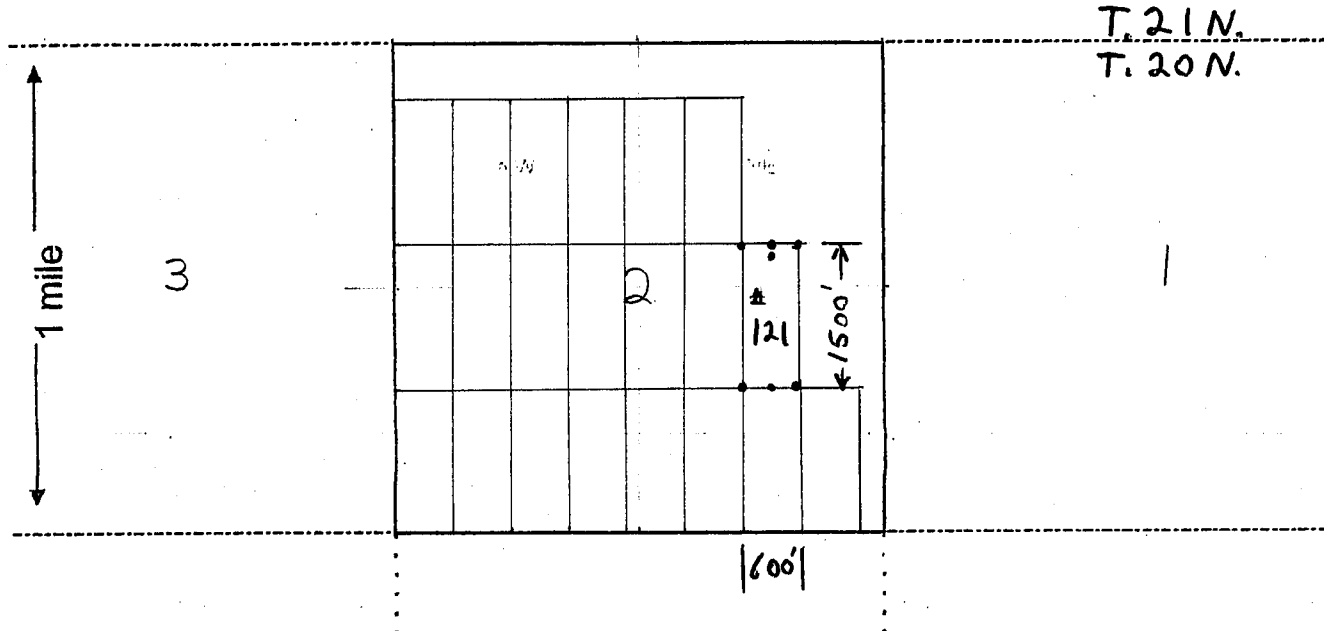
(Agent for Pershing Resources) Form MCF100

ALIC051364

**MINING CLAIM MAP**

← 1 mile →

Lode (X) Placer ( )  
Millsite ( )



Scale: 1" = 2000 feet



- The above map depicts the EN # 121 mining claim, which is located in Section (s) 2, Township 20 N, Range 15 W, Gila and Salt River Base and Meridian, Mohave County, Arizona. Total claim acreage is 20 acres
- The type of corner and location monuments used are as follows: 2" x 2" x 4 ft wood posts
- The bearings and distances in degrees and feet between claim corners and to a public land survey monument are as depicted on the map.
- If the claim is a placer or millsite claim with exterior limits conforming to legal subdivisions of the public survey, provide a legal description of the claim \_\_\_\_\_

Form MCF100a  
Revised July 2014



FEE# 2018019623

OFFICIAL RECORDS OF MOHAVE COUNTY KRISTI BLAIR, COUNTY RECORDER



04/19/2018 03:36 PM Fee: \$10.00

PAGE: 1 of 2

2

After recording return to: Pershing Resources 200 S. Virginia St. 8th Floor Reno, Nevada 89501

LOCATION NOTICE FOR LODE MINING CLAIM

Amendment BLM Serial #

NOTICE IS HEREBY GIVEN that the EN # 127 lode mining claim has been located by Nicholas BARR (agent) whose current mailing address is 5441 E. Mining Camp St. Apache Junction, AZ 85119

RECEIVED BLM AZ STATE OFFICE 2018 JUN 21 P 12:33 PHOENIX, ARIZONA BLM Date Stamp

The general course of this claim is N-S and it is situated in Mohave County, Arizona. This claim is 1500 feet in length and 600 feet in width.

20 Total Claim Acreage. This claim runs from the location monument on which this location notice is posted on the centerline of the claim approximately 20 feet in a S direction to the S end line and 1480 feet in a N direction to the N end line. This claim is marked by six monuments, one at each corner and one at the center of each end line of the claim.

The location monument on which this notice is posted is situated within Section 2, Township 20 N, Range 15 W, Gila Salt River Base and Meridian, Arizona and this claim encompasses portions of the following quarter section(s), section(s), Township(s) and Range(s) SE 1/4 Section 2 T. 20N. R. 15W.

Gila Salt River Base and Meridian, Arizona.

The locality of this claim with reference to some natural object or permanent monument and additional information (if any) concerning its locality are as follows: The NE CORNER of claim is located 6900 ft WEST and 3700 ft South of survey monument located at NE Corner Section 1, T. 20N, R. 15W, GSRB & M. The above information is shown on the attached map.

DATED AND POSTED on the ground this 25 day of MARCH, 2018.

LOCATOR(s) AGENT

Print Name(s) Nicholas Barr

Signature(s) Nichola Barr

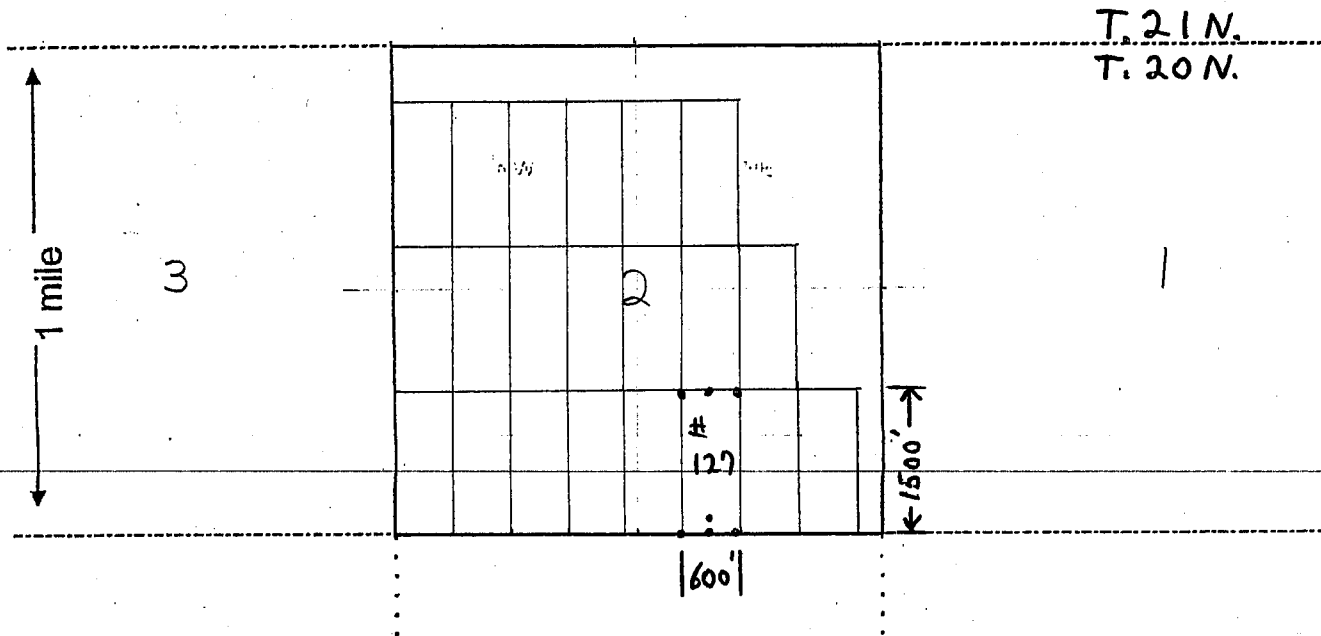
(Agent for Pershing Resources) Form MCF100

ARC451365

**MINING CLAIM MAP**

Lode (X) Placer ( )  
Millsite ( )

← 1 mile →



Scale: 1" = 2000 feet



1. The above map depicts the EN # 127 mining claim, which is located in Section (s) 2, Township 20 N, Range 15 W, Gila and Salt River Base and Meridian, Mohave County, Arizona. Total claim acreage is 20 acres
2. The type of corner and location monuments used are as follows: 2" x 2" x 4 ft wood posts
3. The bearings and distances in degrees and feet between claim corners and to a public land survey monument are as depicted on the map.
4. If the claim is a placer or millsite claim with exterior limits conforming to legal subdivisions of the public survey, provide a legal description of the claim \_\_\_\_\_

Form MCF100a  
Revised July 2014



FEE# 2018019624

OFFICIAL RECORDS OF MOHAVE COUNTY KRISTI BLAIR, COUNTY RECORDER



04/19/2018 03:36 PM Fee: \$10.00

PAGE: 1 of 2

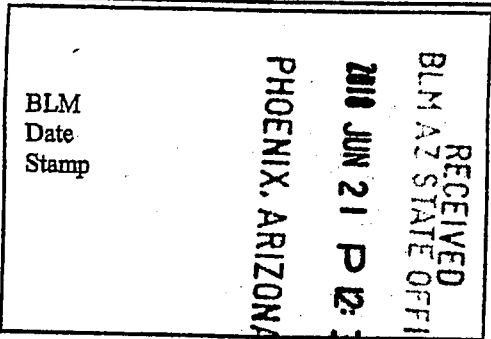
2

After recording return to: Pershing Resources 200 S. Virginia St. 8th Floor Reno, Nevada 89501

LOCATION NOTICE FOR LODE MINING CLAIM

Amendment BLM Serial #

NOTICE IS HEREBY GIVEN that the EN # 128 lode mining claim has been located by Nicholas BARR (agent) whose current mailing address is 5441 E. Mining Camp St. Apache Junction, AZ 85119



The general course of this claim is N-S and it is situated in Mohave County, Arizona. This claim is 1500 feet in length and 600 feet in width.

20 Total Claim Acreage. This claim runs from the location monument on which this location notice is posted on the centerline of the claim approximately 20 feet in a S direction to the S end line and 1480 feet in a N direction to the N end line. This claim is marked by six monuments, one at each corner and one at the center of each end line of the claim.

The location monument on which this notice is posted is situated within Section 2, Township 20 N, Range 15 W, Gila Salt River Base and Meridian, Arizona and this claim encompasses portions of the following quarter section(s), section(s), Township(s) and Range(s) SE 1/4 Section 2 T. 20N, R. 15W.

Gila Salt River Base and Meridian, Arizona.

The locality of this claim with reference to some natural object or permanent monument and additional information (if any) concerning its locality are as follows: The NE CORNER of claim is located 6300 ft WEST and 3700 ft South of survey monument located at NE Corner Section 1, T. 20N, R. 15W, GSRB & M. The above information is shown on the attached map.

DATED AND POSTED on the ground this 25 day of MARCH, 2018.

LOCATOR(s) AGENT

Print Name(s) Nicholas Barr Signature(s) Nicholas Barr

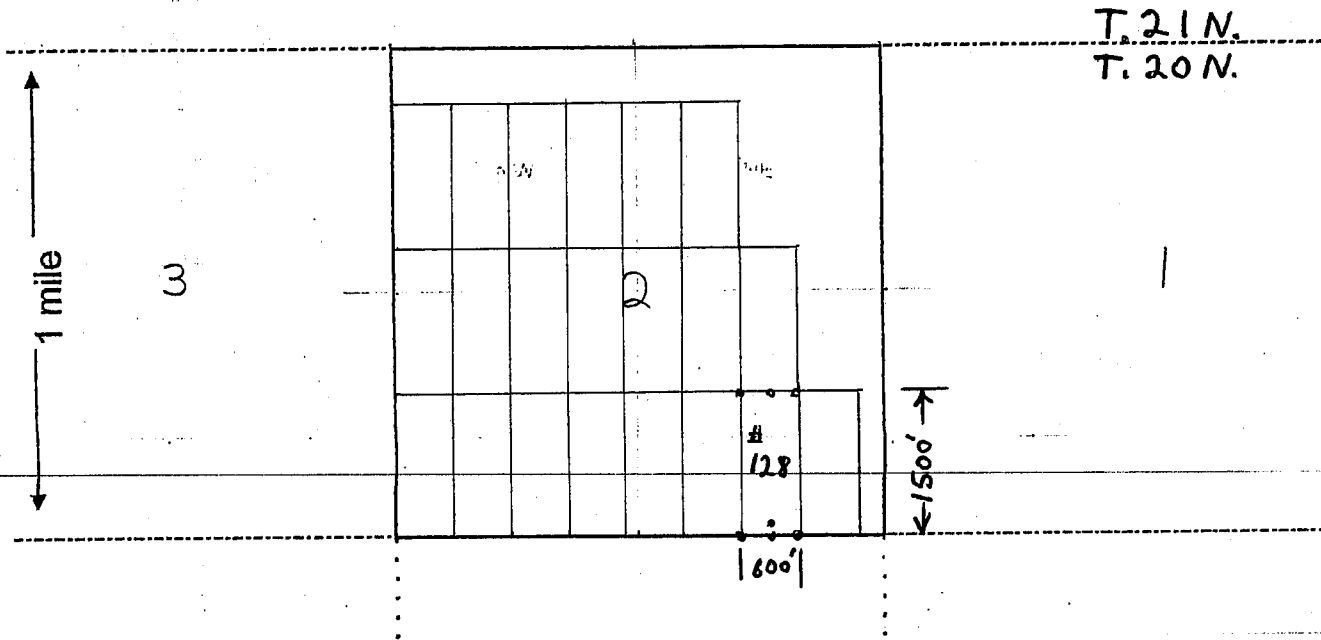
(Agent for Pershing Resources) Form MCF100

AMC451366

**MINING CLAIM MAP**

Lode (X) Placer ( )  
Millsite ( )

← 1 mile →



Scale: 1" = 2000 feet



1. The above map depicts the EN # 128 mining claim, which is located in Section (s) 2, Township 20 N, Range 15 W, Gila and Salt River Base and Meridian, Mohave County, Arizona. Total claim acreage is 20 acres

2. The type of corner and location monuments used are as follows: 2" x 2" x 4 ft wood posts

3. The bearings and distances in degrees and feet between claim corners and to a public land survey monument are as depicted on the map.

4. If the claim is a placer or millsite claim with exterior limits conforming to legal subdivisions of the public survey, provide a legal description of the claim \_\_\_\_\_

Form MCF100a  
Revised July 2014

FEE# 2018019625

OFFICIAL RECORDS OF MOHAVE COUNTY KRISTI BLAIR, COUNTY RECORDER



04/19/2018 03:36 PM Fee: \$10.00

PAGE: 1 of 2

2

After recording return to: Pershing Resources 200 S. Virginia St. 8th Floor Reno, Nevada 89501

LOCATION NOTICE FOR LODE MINING CLAIM

Amendment BLM Serial #

NOTICE IS HEREBY GIVEN that the EN# 129 lode mining claim has been located

by Nicholas BARR (agent) whose current mailing address is 5441 E. Mining Camp St.

Apache Junction, AZ 85119

RECEIVED BLM AZ STATE OFFICE 2018 JUN 21 P 12:33 PHOENIX, ARIZONA BLM Date Stamp

The general course of this claim is N-S and it is situated in Mohave County, Arizona. This claim is 1500 feet in length and 600 feet in width.

20 Total Claim Acreage. This claim runs from the location monument on which this location notice is posted on the centerline of the claim approximately 20 feet in a S direction to the S end line and 1480 feet in a N direction to the N end line. This claim is marked by six monuments, one at each corner and one at the center of each end line of the claim.

The location monument on which this notice is posted is situated within Section 2, Township 20 N, Range 15 W, Gila Salt River Base and Meridian, Arizona and this claim encompasses portions of the following quarter section(s), section(s), Township(s) and Range(s)

SE 1/4 Section 2 T. 20N. R. 15W.

Gila Salt River Base and Meridian, Arizona.

The locality of this claim with reference to some natural object or permanent monument and additional information (if any) concerning its locality are as follows: The NE CORNER of claim is located 5700 ft WEST and 3700 ft South of survey monument located at NE Corner Section 1, T. 20N, R. 15W, GSRBM. The above information is shown on the attached map.

DATED AND POSTED on the ground this 25 day of MARCH, 2018.

LOCATOR(s) AGENT

Print Name(s) Nicholas Barr

Signature(s) Nicholas Barr

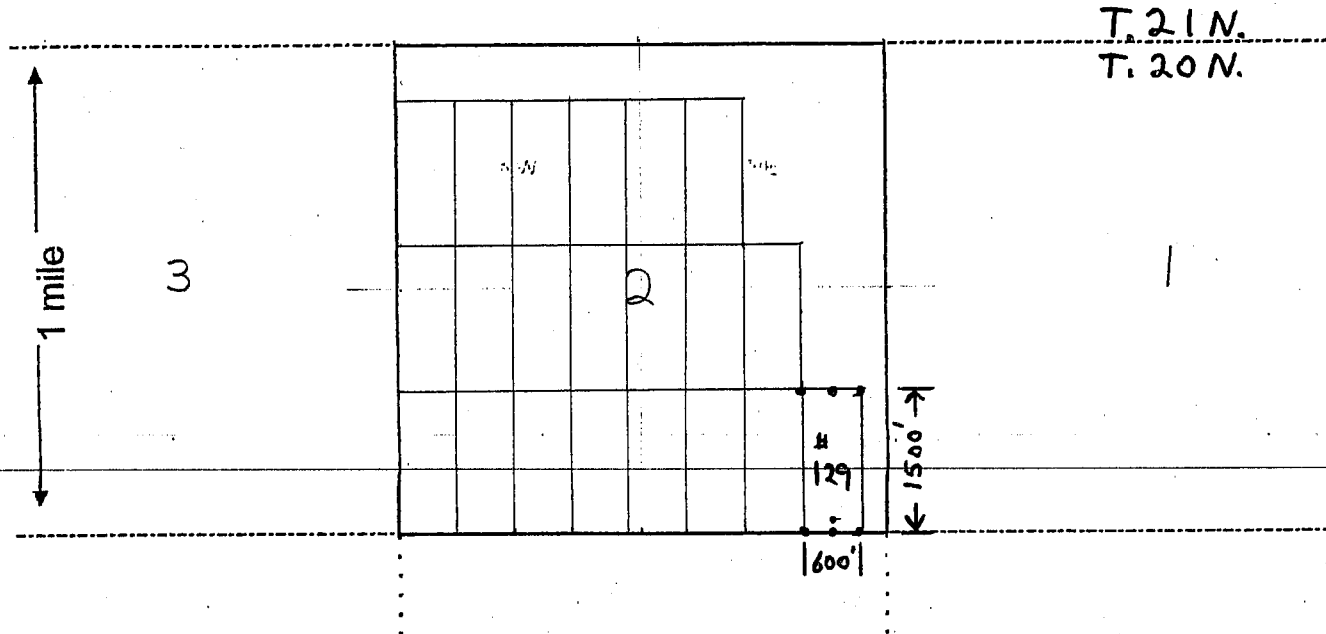
(Agent for Pershing Resources) Form MCF100

AH0451367

**MINING CLAIM MAP**

← 1 mile →

Lode (X) Placer ( )  
Millsite ( )



Scale: 1" = 2000 feet



1. The above map depicts the EN # 129 mining claim, which is located in Section (s) 2, Township 20 N, Range 15 W, Gila and Salt River Base and Meridian, Mohave County, Arizona. Total claim acreage is 20 acres

2. The type of corner and location monuments used are as follows: 2" x 2" x 4 ft wood posts

3. The bearings and distances in degrees and feet between claim corners and to a public land survey monument are as depicted on the map.

4. If the claim is a placer or millsite claim with exterior limits conforming to legal subdivisions of the public survey, provide a legal description of the claim \_\_\_\_\_

Form MCF100a  
Revised July 2014



FEE# 2018019626

OFFICIAL RECORDS OF MOHAVE COUNTY KRISTI BLAIR, COUNTY RECORDER



04/19/2018 03:36 PM Fee: \$10.00

PAGE: 1 of 2

2

After recording return to: Pershing Resources 200 S. Virginia St. 8th Floor Reno, Nevada 89501

LOCATION NOTICE FOR LODE MINING CLAIM

Amendment BLM Serial #

NOTICE IS HEREBY GIVEN that the EN# 135 lode mining claim has been located by Nicholas BARR (agent) whose current mailing address is 5441 E. Mining Camp St. Apache Junction, AZ 85119

RECEIVED BLM AZ STATE OFFICE 2018 JUN 21 P 12:33 PHOENIX, ARIZONA BLM Date Stamp

The general course of this claim is N-S and it is situated in Mohave County, Arizona. This claim is 1500 feet in length and 600 feet in width.

20 Total Claim Acreage. This claim runs from the location monument on which this location notice is posted on the centerline of the claim approximately 20 feet in a N direction to the N end line and 1480 feet in a S direction to the S end line. This claim is marked by six monuments, one at each corner and one at the center of each end line of the claim.

The location monument on which this notice is posted is situated within Section 11, Township 20 N, Range 15 W, Gila Salt River Base and Meridian, Arizona and this claim encompasses portions of the following quarter section(s), section(s), Township(s) and Range(s) NE 1/4 Section 11 T. 20N, R. 15W.

Gila Salt River Base and Meridian, Arizona.

The locality of this claim with reference to some natural object or permanent monument and additional information (if any) concerning its locality are as follows: The NE CORNER of claim is located 6900 ft WEST and 5150 ft SOUTH of survey monument located at NE Corner Section 1, T. 20N, R. 15W, GSRB & M. The above information is shown on the attached map.

DATED AND POSTED on the ground this 25 day of March, 2018.

LOCATOR(s) AGENT

Print Name(s) Nicholas Barr

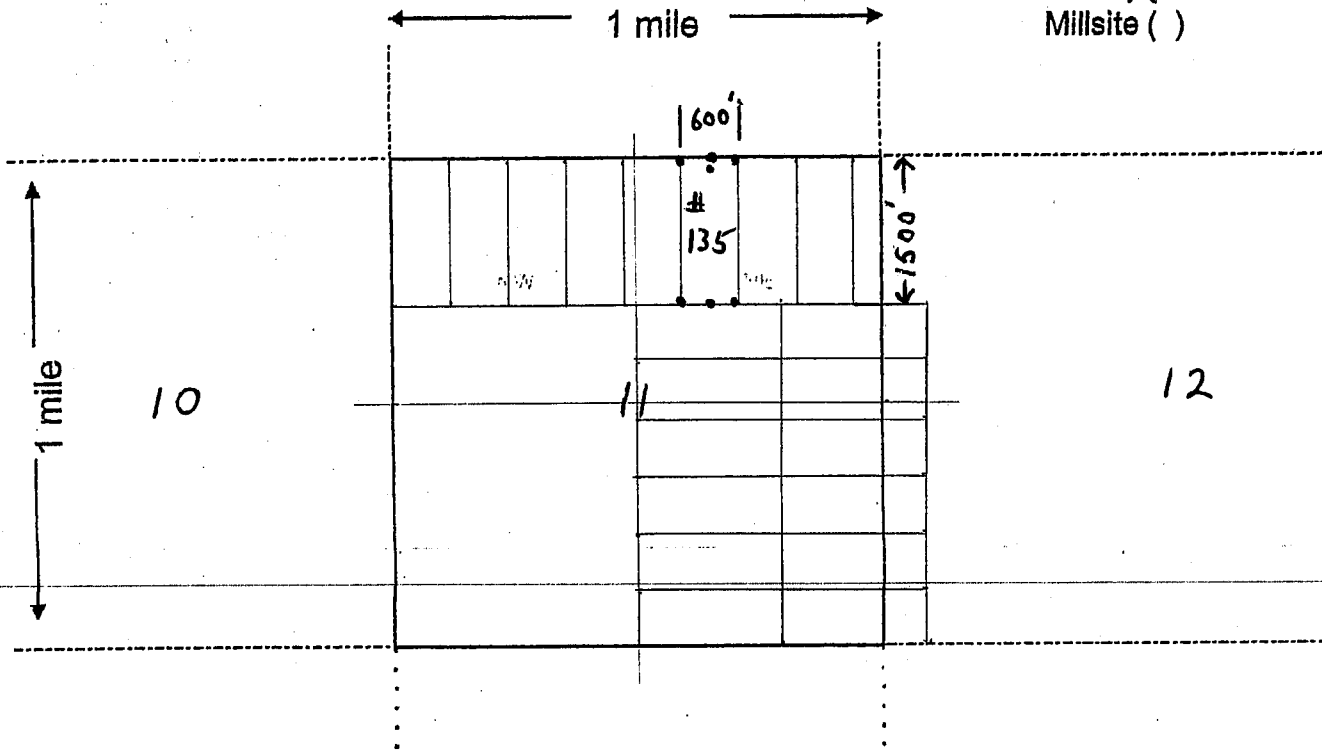
Signature(s) Nicholas Barr

(Agent for Pershing Resources) Form MCF100

AHC451368

**MINING CLAIM MAP**

Lode (X) Placer ( )  
Millsite ( )



Scale: 1" = 2000 feet



1. The above map depicts the EN # 135 mining claim, which is located in Section (s) 11, Township 20 N, Range 15 W, Gila and Salt River Base and Meridian, Mohave County, Arizona. Total claim acreage is 20 acres
2. The type of corner and location monuments used are as follows: 2" x 2" x 4 ft wood posts
3. The bearings and distances in degrees and feet between claim corners and to a public land survey monument are as depicted on the map.
4. If the claim is a placer or millsite claim with exterior limits conforming to legal subdivisions of the public survey, provide a legal description of the claim \_\_\_\_\_

Form MCF100a  
Revised July 2014



FEE# 2018019627

OFFICIAL RECORDS OF MOHAVE COUNTY KRISTI BLAIR, COUNTY RECORDER



04/19/2018 03:36 PM Fee: \$10.00

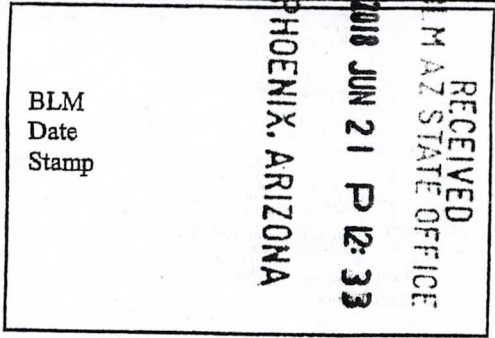
PAGE: 1 of 2

After recording return to: Pershing Resources 200 S. Virginia St. 8th Floor Reno, Nevada 89501

LOCATION NOTICE FOR LODE MINING CLAIM

Amendment BLM Serial #

NOTICE IS HEREBY GIVEN that the EN # 136 lode mining claim has been located by Nicholas BARR (agent) whose current mailing address is 5441 E. Mining Camp St. Apache Junction, AZ 85119



The general course of this claim is N-S and it is situated in Mohave County, Arizona. This claim is 1500 feet in length and 600 feet in width.

20 Total Claim Acreage. This claim runs from the location monument on which this location notice is posted on the centerline of the claim approximately 20 feet in a N direction to the N end line and 1480 feet in a S direction to the S end line. This claim is marked by six monuments, one at each corner and one at the center of each end line of the claim.

The location monument on which this notice is posted is situated within Section 11, Township 20 N, Range 15 W, Gila Salt River Base and Meridian, Arizona and this claim encompasses portions of the following quarter section(s), section(s), Township(s) and Range(s) NE 1/4 Section 11 T. 20N, R. 15W.

Gila Salt River Base and Meridian, Arizona.

The locality of this claim with reference to some natural object or permanent monument and additional information (if any) concerning its locality are as follows: The NE CORNER of claim is located 6300 ft WEST and 5150 ft SOUTH of survey monument located at NE Corner Section 1, T. 20N, R. 15W, GSRB & M. The above information is shown on the attached map.

DATED AND POSTED on the ground this 25 day of March, 2018.

LOCATOR(s) AGENT

Print Name(s) Nicholas Barr

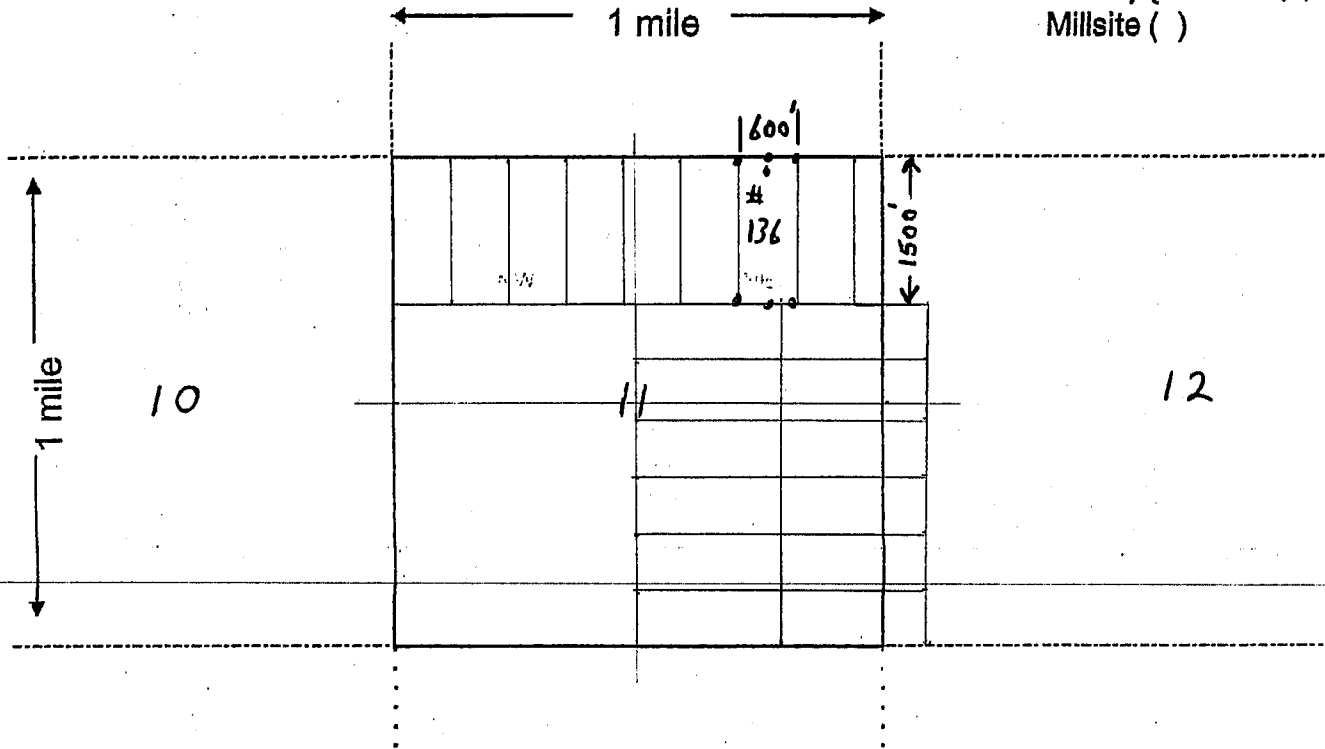
Signature(s) Nicholas Barr

(Agent for Pershing Resources) Form MCF100

AHC151369

**MINING CLAIM MAP**

Lode (X) Placer ( )  
Millsite ( )



Scale: 1" = 2000 feet



- The above map depicts the EN # 136 mining claim, which is located in Section (s) 11, Township 20 N, Range 15 W, Gila and Salt River Base and Meridian, Mohave County, Arizona. Total claim acreage is 20 acres
- The type of corner and location monuments used are as follows: 2" x 2" x 4ft wood posts
- The bearings and distances in degrees and feet between claim corners and to a public land survey monument are as depicted on the map.
- If the claim is a placer or millsite claim with exterior limits conforming to legal subdivisions of the public survey, provide a legal description of the claim \_\_\_\_\_

Form MCF100a  
Revised July 2014

FEE# 2018019628

OFFICIAL RECORDS OF MOHAVE COUNTY KRISTI BLAIR, COUNTY RECORDER



04/19/2018 03:36 PM Fee: \$10.00

PAGE: 1 of 2

2

After recording return to: Pershing Resources 200 S. Virginia St. 8th Floor Reno, Nevada 89501

LOCATION NOTICE FOR LODE MINING CLAIM

Amendment BLM Serial #

NOTICE IS HEREBY GIVEN that the

EN# 137 lode mining claim has been located by Nicholas BARR (agent) whose current mailing address is 5441 E. Mining Camp St. Apache Junction, AZ 85119

RECEIVED BLM AZ STATE OFFICE JUN 21 P 12:33 PHOENIX, ARIZONA BLM Date Stamp

The general course of this claim is N-S and it is situated in Mohave County, Arizona. This claim is 1500 feet in length and 600 feet in width.

20 Total Claim Acreage. This claim runs from the location monument on which this location notice is posted on the centerline of the claim approximately 20 feet in a N direction to the N end line and 1480 feet in a S direction to the S end line. This claim is marked by six monuments, one at each corner and one at the center of each end line of the claim.

The location monument on which this notice is posted is situated within Section 11, Township 20 N, Range 15 W, Gila Salt River Base and Meridian, Arizona and this claim encompasses portions of the following quarter section(s), section(s), Township(s) and Range(s) NE 1/4 Section 11 T. 20 N, R. 15 W.

Gila Salt River Base and Meridian, Arizona.

The locality of this claim with reference to some natural object or permanent monument and additional information (if any) concerning its locality are as follows: The NE CORNER of claim is located 5700 ft. WEST and 5150 ft. SOUTH of survey monument located at NE Corner Section 1, T. 20 N, R. 15 W, GSRB & M. The above information is shown on the attached map.

DATED AND POSTED on the ground this 25 day of March, 2018.

LOCATOR(s) AGENT

Print Name(s) Nicholas Barr

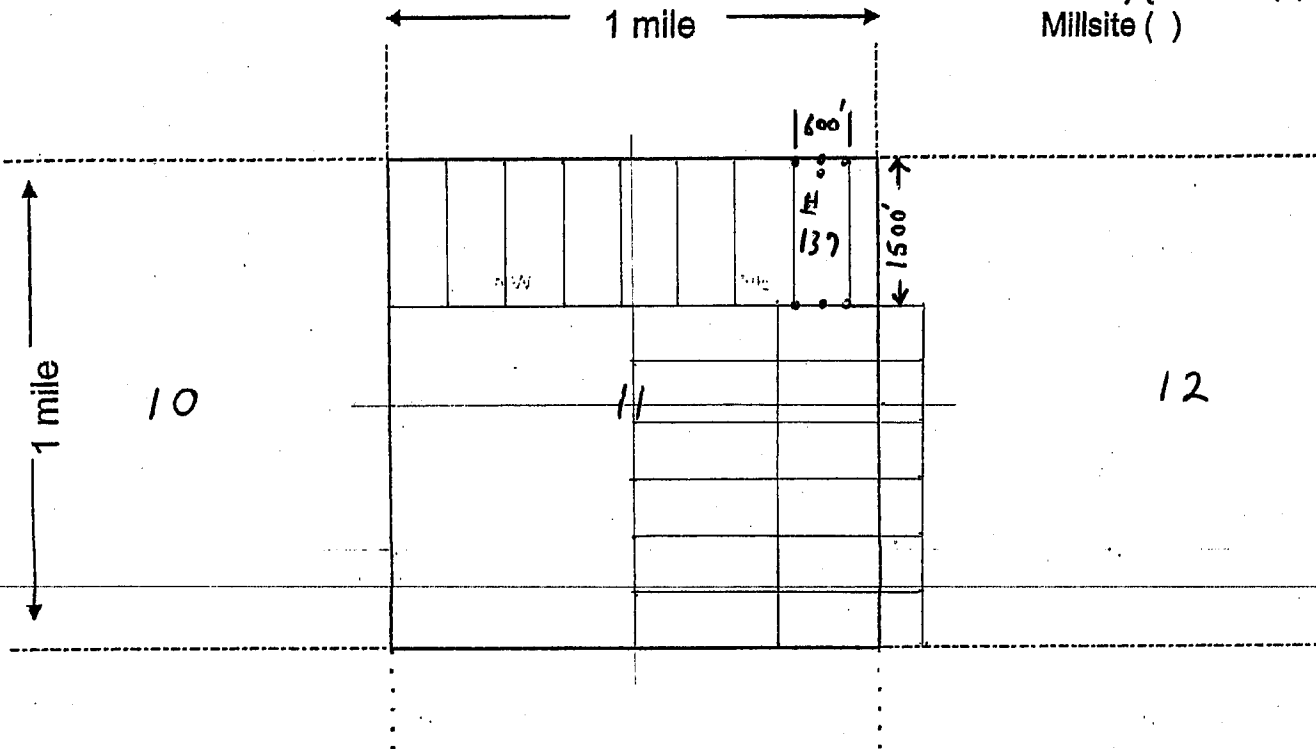
Signature(s) Nicholas Barr

(Agent for Pershing Resources) Form MCF100

AMC451370

**MINING CLAIM MAP**

Lode (X) Placer ( )  
Millsite ( )



Scale: 1" = 2000 feet



- The above map depicts the EN # 137 mining claim, which is located in Section (s) 11, Township 20 N, Range 15 W, Gila and Salt River Base and Meridian, Mohave County, Arizona. Total claim acreage is 20 acres
- The type of corner and location monuments used are as follows: 2" x 2" x 4 ft wood posts
- The bearings and distances in degrees and feet between claim corners and to a public land survey monument are as depicted on the map.
- If the claim is a placer or millsite claim with exterior limits conforming to legal subdivisions of the public survey, provide a legal description of the claim \_\_\_\_\_

Form MCF100a  
Revised July 2014

2

FEE# 2018019629

After recording return to:  
Pershing Resources  
200 S. Virginia St. 8th Floor  
Reno, Nevada 89501

OFFICIAL RECORDS  
OF MOHAVE COUNTY  
KRISTI BLAIR,  
COUNTY RECORDER



04/19/2018 03:36 PM Fee: \$10.00

PAGE: 1 of 2

LOCATION NOTICE FOR LODE MINING CLAIM

Amendment BLM Serial # \_\_\_\_\_

NOTICE IS HEREBY GIVEN that the \_\_\_\_\_  
EN # 138 lode mining claim has been located  
by Nicholas BARR (agent) whose current mailing  
address is 5441 E. Mining Camp St.  
Apache Junction, AZ 85119

RECEIVED  
BLM AZ STATE OFFICE  
2018 JUN 21 P 12:34  
PHOENIX, ARIZONA  
BLM  
Date  
Stamp

The general course of this claim is E-W and it is situated in Mohave  
County, Arizona. This claim is 1500 feet in length and 600 feet in width.

20 Total Claim Acreage. This claim runs from the location monument on which this location notice  
is posted on the centerline of the claim approximately 20 feet in a E direction to the E  
end line and 1480 feet in a W direction to the W end line. This claim is marked by six  
monuments, one at each corner and one at the center of each end line of the claim.

The location monument on which this notice is posted is situated within Section 11, Township 20  
N, Range 15 W, Gila Salt River Base and Meridian, Arizona and this claim encompasses portions  
of the following quarter section(s), section(s), Township(s) and Range(s) \_\_\_\_\_  
NE 1/4 Section 11 T. 20N, R. 15W.

Gila Salt River Base and Meridian, Arizona.

The locality of this claim with reference to some natural object or permanent monument and additional information  
(if any) concerning its locality are as follows: The NE CORNER of claim is located  
6400 ft. WEST and 6650 ft. SOUTH of survey monument located at  
NE Corner Section 1, T. 20N, R. 15W, GSRB & M The above information is shown on the attached map.

DATED AND POSTED on the ground this 25 day of March, 2018.

LOCATOR(s)  AGENT

Print Name(s) Nicholas Barr

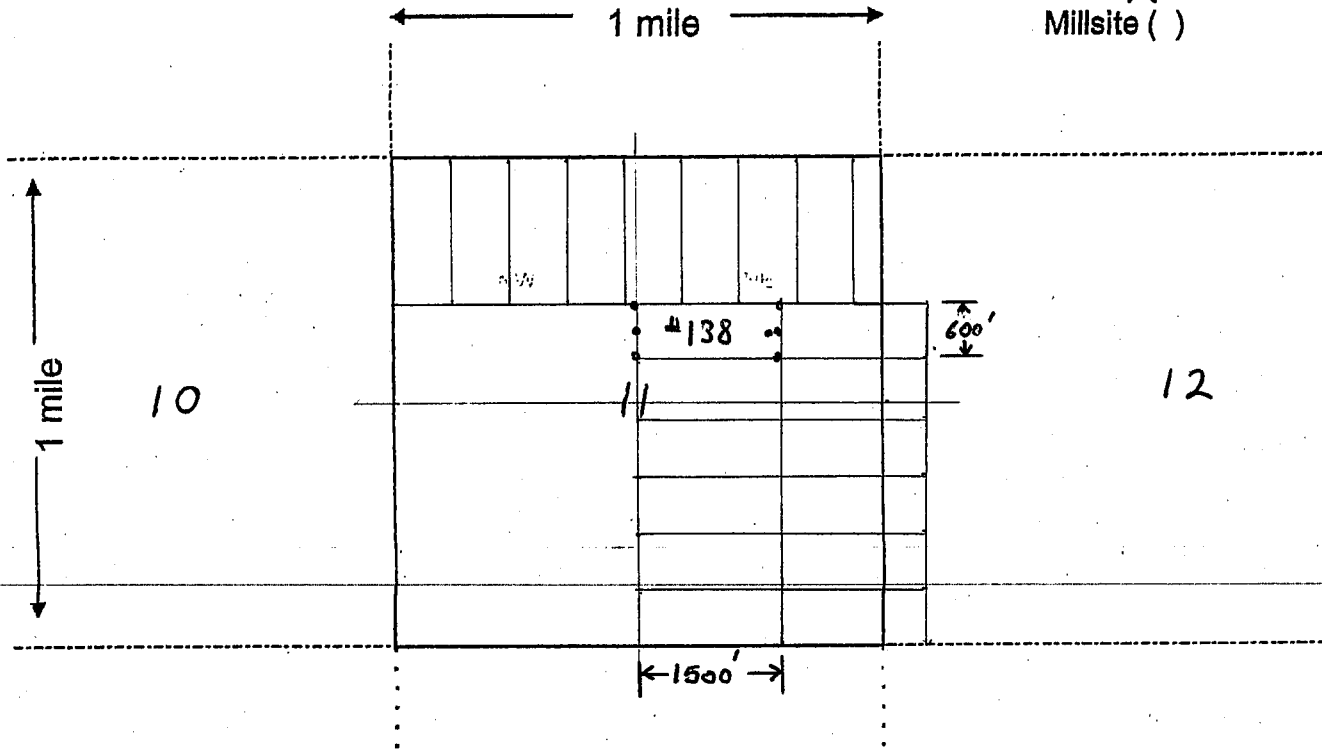
Signature(s) Nicholas Barr

(Agent for Pershing Resources) Form MCF100

AHC451371

**MINING CLAIM MAP**

Lode (X) Placer ( )  
Millsite ( )



Scale: 1" = 2000 feet



- The above map depicts the EN # 138 mining claim, which is located in Section (s) 11, Township 20 N, Range 15 W, Gila and Salt River Base and Meridian, Mohave County, Arizona. Total claim acreage is 20 acres
- The type of corner and location monuments used are as follows: 2" x 2" x 4 ft wood posts
- The bearings and distances in degrees and feet between claim corners and to a public land survey monument are as depicted on the map.
- If the claim is a placer or millsite claim with exterior limits conforming to legal subdivisions of the public survey, provide a legal description of the claim \_\_\_\_\_

Form MCF100a  
Revised July 2014



FEE# 2018019631

OFFICIAL RECORDS OF MOHAVE COUNTY KRISTI BLAIR, COUNTY RECORDER



04/19/2018 03:36 PM Fee: \$10.00

PAGE: 1 of 2

2

After recording return to: Pershing Resources 200 S. Virginia St. 8th Floor Reno, Nevada 89501

LOCATION NOTICE FOR LODE MINING CLAIM

Amendment BLM Serial #

NOTICE IS HEREBY GIVEN that the EN # 140 lode mining claim has been located by Nicholas BARR (agent) whose current mailing address is 5441 E. Mining Camp St. Apache Junction, AZ 85119

RECEIVED BLM AZ STATE OFFICE 2018 JUN 21 P 12:34 PHOENIX, ARIZONA BLM Date Stamp

The general course of this claim is E-W and it is situated in Mohave County, Arizona. This claim is 1500 feet in length and 600 feet in width.

20 Total Claim Acreage. This claim runs from the location monument on which this location notice is posted on the centerline of the claim approximately 20 feet in a E direction to the E end line and 1480 feet in a W direction to the W end line. This claim is marked by six monuments, one at each corner and one at the center of each end line of the claim.

The location monument on which this notice is posted is situated within Section 11, Township 20 N, Range 15 W, Gila Salt River Base and Meridian, Arizona and this claim encompasses portions of the following quarter section(s), section(s), Township(s) and Range(s) NE 1/4 Section 11 T. 20N, R. 15W.

Gila Salt River Base and Meridian, Arizona.

The locality of this claim with reference to some natural object or permanent monument and additional information (if any) concerning its locality are as follows: The NE CORNER of claim is located 6400 ft WEST and 7250 ft SOUTH of survey monument located at NE Corner Section 1, T. 20N, R. 15W, GSRB & M. The above information is shown on the attached map.

DATED AND POSTED on the ground this 25 day of March, 2018.

LOCATOR(s) AGENT

Print Name(s) Nicholas Barr

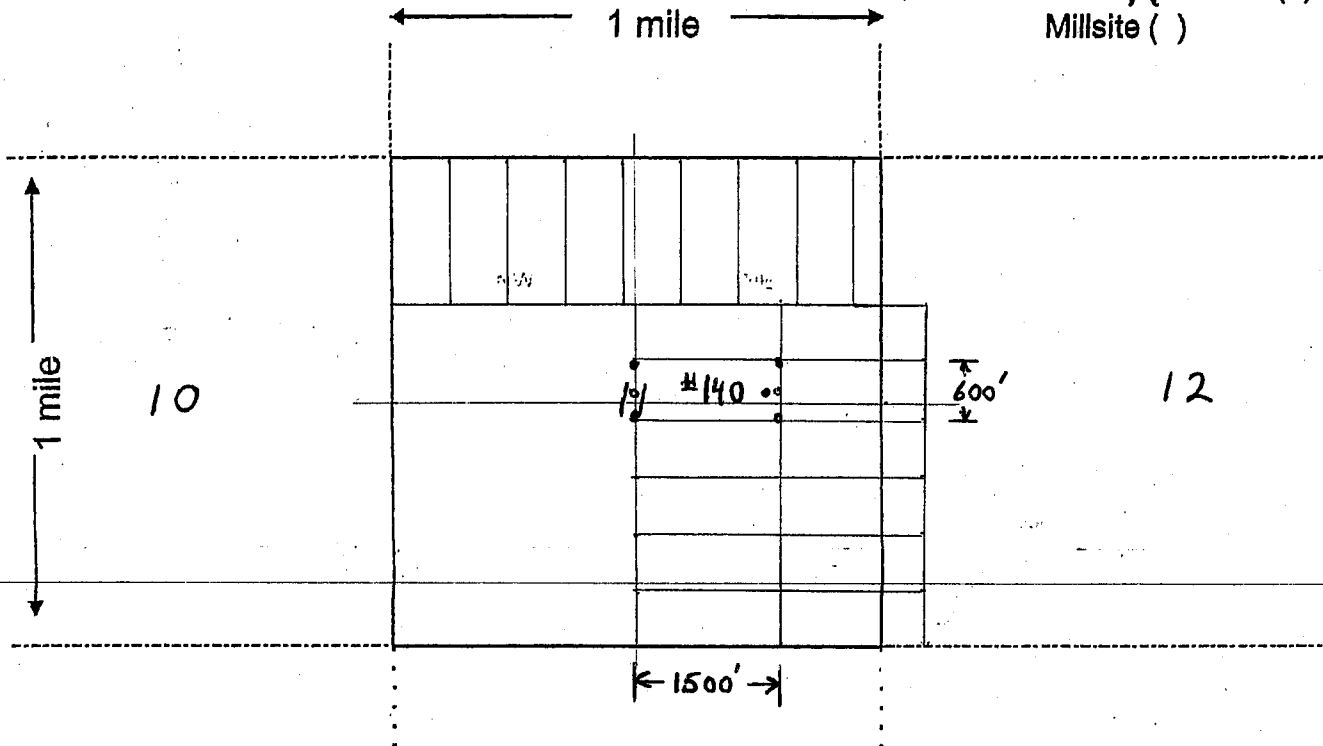
Signature(s) Nicholas Barr

(Agent for Pershing Resources) Form MCF100

AHC0451372

**MINING CLAIM MAP**

Lode (X) Placer ( )  
Millsite ( )



Scale: 1" = 2000 feet



- The above map depicts the EN # 140 mining claim, which is located in Section (s) 11, Township 20 N, Range 15 W, Gila and Salt River Base and Meridian, Mohave County, Arizona. Total claim acreage is 20 acres
- The type of corner and location monuments used are as follows: 2" x 2" x 4 ft wood posts
- The bearings and distances in degrees and feet between claim corners and to a public land survey monument are as depicted on the map.
- If the claim is a placer or millsite claim with exterior limits conforming to legal subdivisions of the public survey, provide a legal description of the claim \_\_\_\_\_

Form MCF100a  
Revised July 2014

FEE# 2018019633

OFFICIAL RECORDS OF MOHAVE COUNTY KRISTI BLAIR, COUNTY RECORDER



04/19/2018 03:36 PM Fee: \$10.00

PAGE: 1 of 2

After recording return to: Pershing Resources 200 S. Virginia St. 8th Floor Reno, Nevada 89501

LOCATION NOTICE FOR LODE MINING CLAIM

Amendment BLM Serial #

NOTICE IS HEREBY GIVEN that the EN # 142 lode mining claim has been located by Nicholas BARR (agent) whose current mailing address is 5441 E. Mining Camp St. Apache Junction, AZ 85119

RECEIVED BLM AZ STATE OFFICE PHOENIX, ARIZONA 2018 JUN 21 P 12:34 BLM Date Stamp

The general course of this claim is E-W and it is situated in Mohave County, Arizona. This claim is 1500 feet in length and 600 feet in width.

20 Total Claim Acreage. This claim runs from the location monument on which this location notice is posted on the centerline of the claim approximately 20 feet in a E direction to the E end line and 1480 feet in a W direction to the W end line. This claim is marked by six monuments, one at each corner and one at the center of each end line of the claim.

The location monument on which this notice is posted is situated within Section 11, Township 20 N, Range 15 W, Gila Salt River Base and Meridian, Arizona and this claim encompasses portions of the following quarter section(s), section(s), Township(s) and Range(s) SE 1/4 Section 11 T. 20N, R. 15W.

Gila Salt River Base and Meridian, Arizona.

The locality of this claim with reference to some natural object or permanent monument and additional information (if any) concerning its locality are as follows: The NE CORNER of claim is located 6400 ft WEST and 7850 ft SOUTH of survey monument located at NE Corner Section 1, T. 20N, R. 15W, GSRB & M. The above information is shown on the attached map.

DATED AND POSTED on the ground this 25 day of March, 2018.

LOCATOR(s) AGENT

Print Name(s) Nicholas Barr

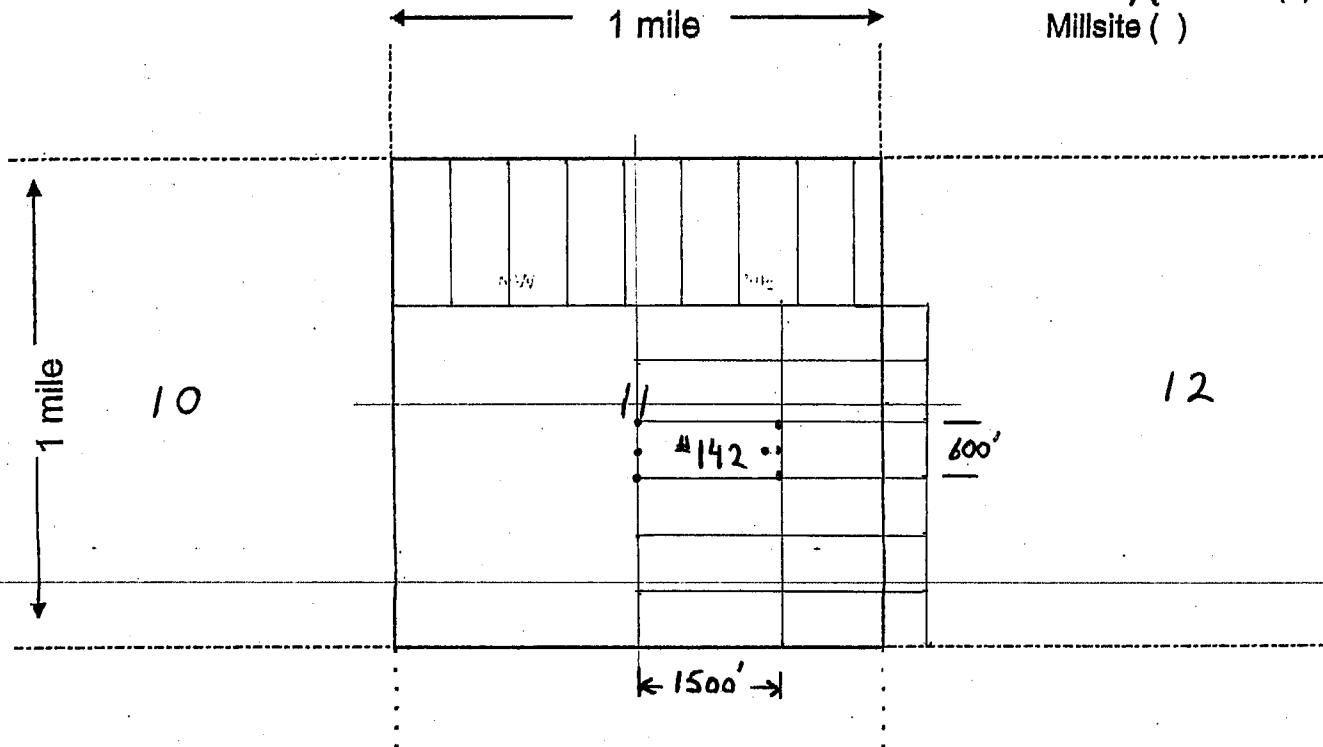
Signature(s) Nicholas Barr

(Agent for Pershing Resources) Form MCF100

AH0451373

**MINING CLAIM MAP**

Lode (X) Placer ( )  
Millsite ( )



Scale: 1" = 2000 feet



1. The above map depicts the EN # 142 mining claim, which is located in Section (s) 11, Township 20 N, Range 15 W, Gila and Salt River Base and Meridian, Mohave County, Arizona. Total claim acreage is 20 acres

2. The type of corner and location monuments used are as follows: 2" x 2" x 4 ft wood posts

3. The bearings and distances in degrees and feet between claim corners and to a public land survey monument are as depicted on the map.

4. If the claim is a placer or millsite claim with exterior limits conforming to legal subdivisions of the public survey, provide a legal description of the claim \_\_\_\_\_

Form MCF100a  
Revised July 2014

FEE# 2018019635

OFFICIAL RECORDS OF MOHAVE COUNTY KRISTI BLAIR, COUNTY RECORDER



04/19/2018 03:36 PM Fee: \$10.00

PAGE: 1 of 2

2

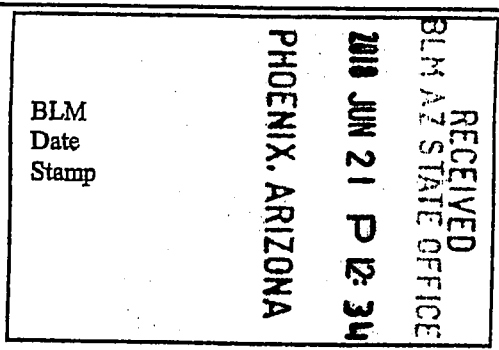
After recording return to: Pershing Resources 200 S. Virginia St. 8th Floor Reno, Nevada 89501

LOCATION NOTICE FOR LODE MINING CLAIM

Amendment BLM Serial #

NOTICE IS HEREBY GIVEN that the

EN # 144 lode mining claim has been located by Nicholas BARR (agent) whose current mailing address is 5441 E. Mining Camp St. Apache Junction, AZ 85119



The general course of this claim is E-W and it is situated in Mohave County, Arizona. This claim is 1500 feet in length and 600 feet in width.

20 Total Claim Acreage. This claim runs from the location monument on which this location notice is posted on the centerline of the claim approximately 20 feet in a E direction to the E end line and 1480 feet in a W direction to the W end line. This claim is marked by six monuments, one at each corner and one at the center of each end line of the claim.

The location monument on which this notice is posted is situated within Section 11, Township 20 N, Range 15 W, Gila Salt River Base and Meridian, Arizona and this claim encompasses portions of the following quarter section(s), section(s), Township(s) and Range(s) SE 4 Section 11 T. 20 N, R. 15 W.

Gila Salt River Base and Meridian, Arizona.

The locality of this claim with reference to some natural object or permanent monument and additional information (if any) concerning its locality are as follows: The NE CORNER of claim is located 6400 ft. WEST and 8450 ft. SOUTH of survey monument located at NE Corner Section 1, T. 20 N, R. 15 W. GSRB & M. The above information is shown on the attached map.

DATED AND POSTED on the ground this 25 day of March, 2018.

LOCATOR(s) AGENT

Print Name(s) Nicholas Barr

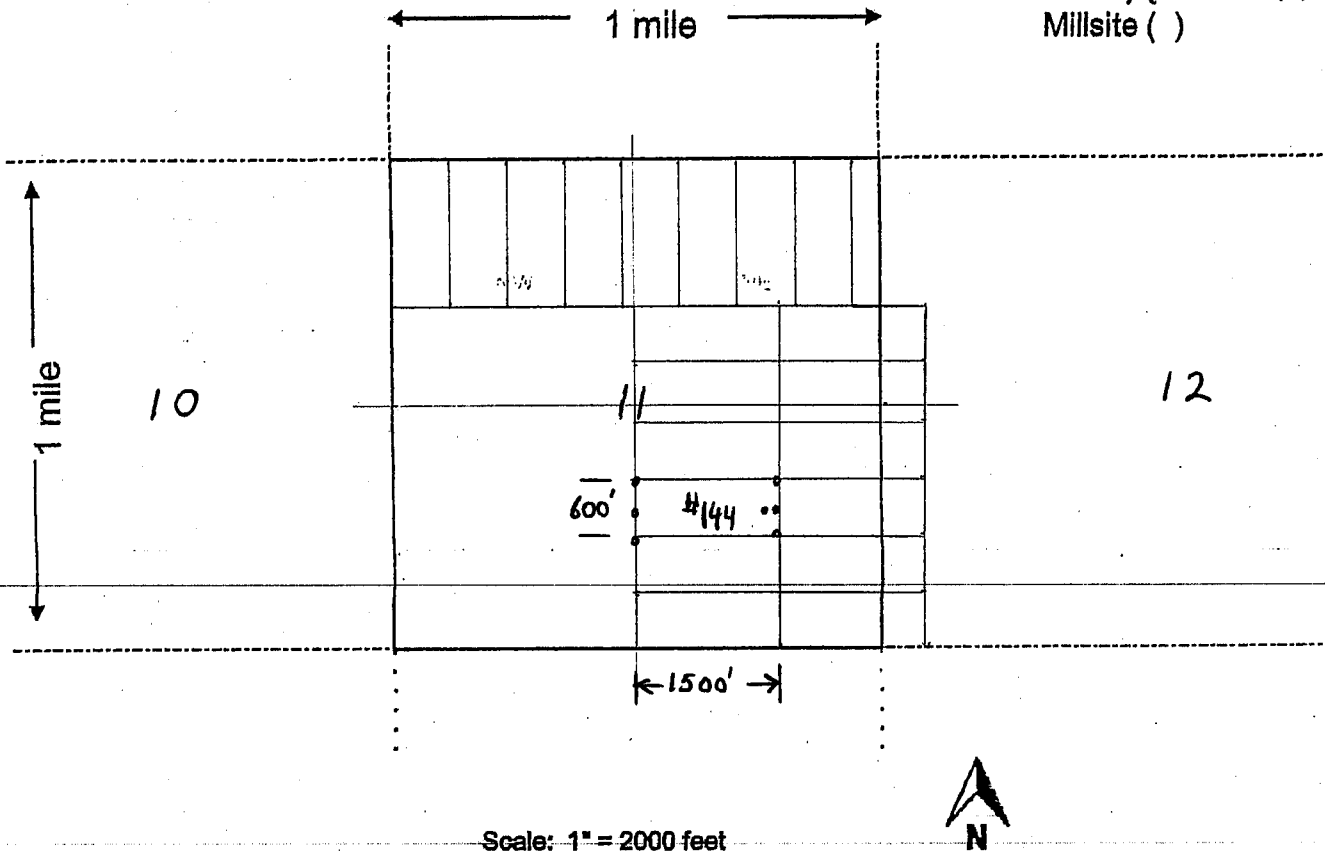
Signature(s) Nicholas Barr

(Agent for Pershing Resources) Form MCF100

AMC051374

**MINING CLAIM MAP**

Lode (X) Placer ( )  
Millsite ( )



Scale: 1" = 2000 feet

- The above map depicts the EN # 144 mining claim, which is located in Section (s) 11, Township 20 N, Range 15 W, Gila and Salt River Base and Meridian, Mohave County, Arizona. Total claim acreage is 20 acres
- The type of corner and location monuments used are as follows: 2" x 2" x 4 ft wood posts
- The bearings and distances in degrees and feet between claim corners and to a public land survey monument are as depicted on the map.
- If the claim is a placer or millsite claim with exterior limits conforming to legal subdivisions of the public survey, provide a legal description of the claim \_\_\_\_\_

Form MCF100a  
Revised July 2014



2

After recording return to:  
Pershing Resources  
200 S. Virginia St. 8th Floor  
Reno, Nevada 89501

FEE# 2018019637

OFFICIAL RECORDS  
OF MOHAVE COUNTY  
KRISTI BLAIR,  
COUNTY RECORDER



04/19/2018 03:36 PM Fee: \$10.00

PAGE: 1 of 2

**LOCATION NOTICE FOR LODE MINING CLAIM**

Amendment BLM Serial # \_\_\_\_\_

NOTICE IS HEREBY GIVEN that the \_\_\_\_\_

EN # 146 lode mining claim has been located  
by Nicholas BARR (agent) whose current mailing  
address is 5441 E. Mining Camp St.  
Apache Junction, AZ 85119

The general course of this claim is E-W and it is situated in Mohave  
County, Arizona. This claim is 1500 feet in length and 600 feet in width.

20 Total Claim Acreage. This claim runs from the location monument on which this location notice  
is posted on the centerline of the claim approximately 20 feet in a E direction to the E  
end line and 1480 feet in a W direction to the W end line. This claim is marked by six  
monuments, one at each corner and one at the center of each end line of the claim.

The location monument on which this notice is posted is situated within Section 11, Township 20  
N, Range 15 W, Gila Salt River Base and Meridian, Arizona and this claim encompasses portions  
of the following quarter section(s), section(s), Township(s) and Range(s) \_\_\_\_\_

SE 1/4 Section 11 T. 20N, R. 15W.

Gila Salt River Base and Meridian, Arizona.

The locality of this claim with reference to some natural object or permanent monument and additional information  
(if any) concerning its locality are as follows: The NE CORNER of claim is located  
6400 ft WEST and 9050 ft SOUTH of survey monument located at  
NE Corner Section 1, T. 20N, R. 15W. GSRB & M The above information is shown on the attached map.

DATED AND POSTED on the ground this 25 day of March, 2018.

LOCATOR(s)  AGENT

Print Name(s) Nicholas Barr

Signature(s) Nicholas Barr

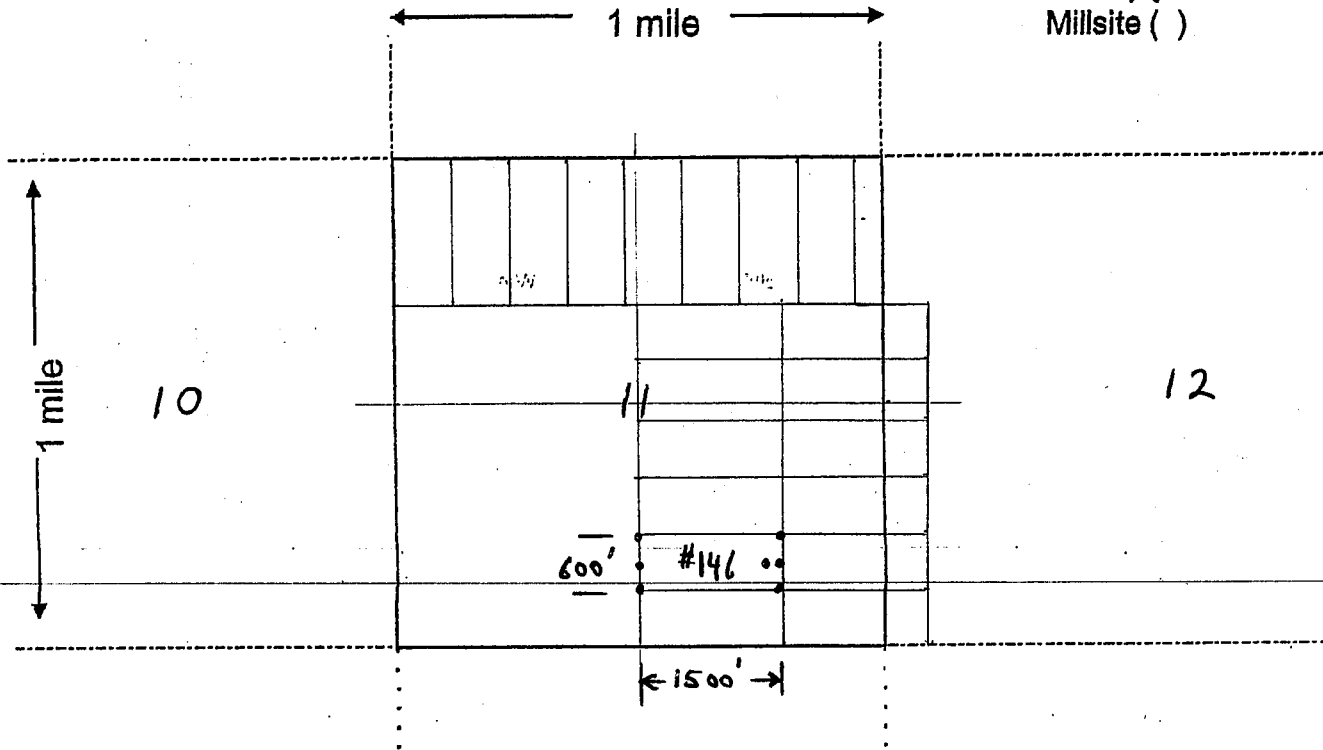
(Agent for Pershing Resources) Form MCF100

RECEIVED  
BLM AZ STATE OFFICE  
2018 JUN 21 P 12:34  
PHOENIX, ARIZONA  
BLM  
Date  
Stamp

ANCI51375

**MINING CLAIM MAP**

Lode (X) Placer ( )  
Millsite ( )



Scale: 1" = 2000 feet



1. The above map depicts the EN # 146 mining claim, which is located in Section (s) 11, Township 20 N, Range 15 W, Gila and Salt River Base and Meridian, Mohave County, Arizona. Total claim acreage is 20 acres
2. The type of corner and location monuments used are as follows: 2" x 2" x 4 ft wood posts
3. The bearings and distances in degrees and feet between claim corners and to a public land survey monument are as depicted on the map.
4. If the claim is a placer or millsite claim with exterior limits conforming to legal subdivisions of the public survey, provide a legal description of the claim \_\_\_\_\_

Form MCF100a  
Revised July 2014

2



FEE# 2018019639

OFFICIAL RECORDS OF MOHAVE COUNTY KRISTI BLAIR, COUNTY RECORDER



04/19/2018 03:36 PM Fee: \$10.00

PAGE: 1 of 2

After recording return to: Pershing Resources 200 S. Virginia St. 8th Floor Reno, Nevada 89501

LOCATION NOTICE FOR LOBE MINING CLAIM

Amendment BLM Serial #

NOTICE IS HEREBY GIVEN that the EN # 148 lode mining claim has been located by Nicholas BARR (agent) whose current mailing address is 5441 E. Mining Camp St. Apache Junction, AZ 85119

RECEIVED BLM AZ STATE OFFICE 2018 JUN 21 P 12:34 PHOENIX, ARIZONA BLM Date Stamp

The general course of this claim is E-W and it is situated in Mohave County, Arizona. This claim is 1500 feet in length and 600 feet in width.

20 Total Claim Acreage. This claim runs from the location monument on which this location notice is posted on the centerline of the claim approximately 20 feet in a E direction to the E end line and 1480 feet in a W direction to the W end line. This claim is marked by six monuments, one at each corner and one at the center of each end line of the claim.

The location monument on which this notice is posted is situated within Section 11, Township 20 N, Range 15 W, Gila Salt River Base and Meridian, Arizona and this claim encompasses portions of the following quarter section(s), section(s), Township(s) and Range(s) SE 1/4 Section 11 T. 20 N, R. 15 W.

Gila Salt River Base and Meridian, Arizona.

The locality of this claim with reference to some natural object or permanent monument and additional information (if any) concerning its locality are as follows: The NE CORNER of claim is located 6400 ft WEST and 9650 ft SOUTH of survey monument located at NE Corner Section 1, T. 20 N, R. 15 W, G5 R B & M. The above information is shown on the attached map.

DATED AND POSTED on the ground this 25 day of March, 2018.

LOCATOR(s) AGENT

Print Name(s) Nicholas Barr

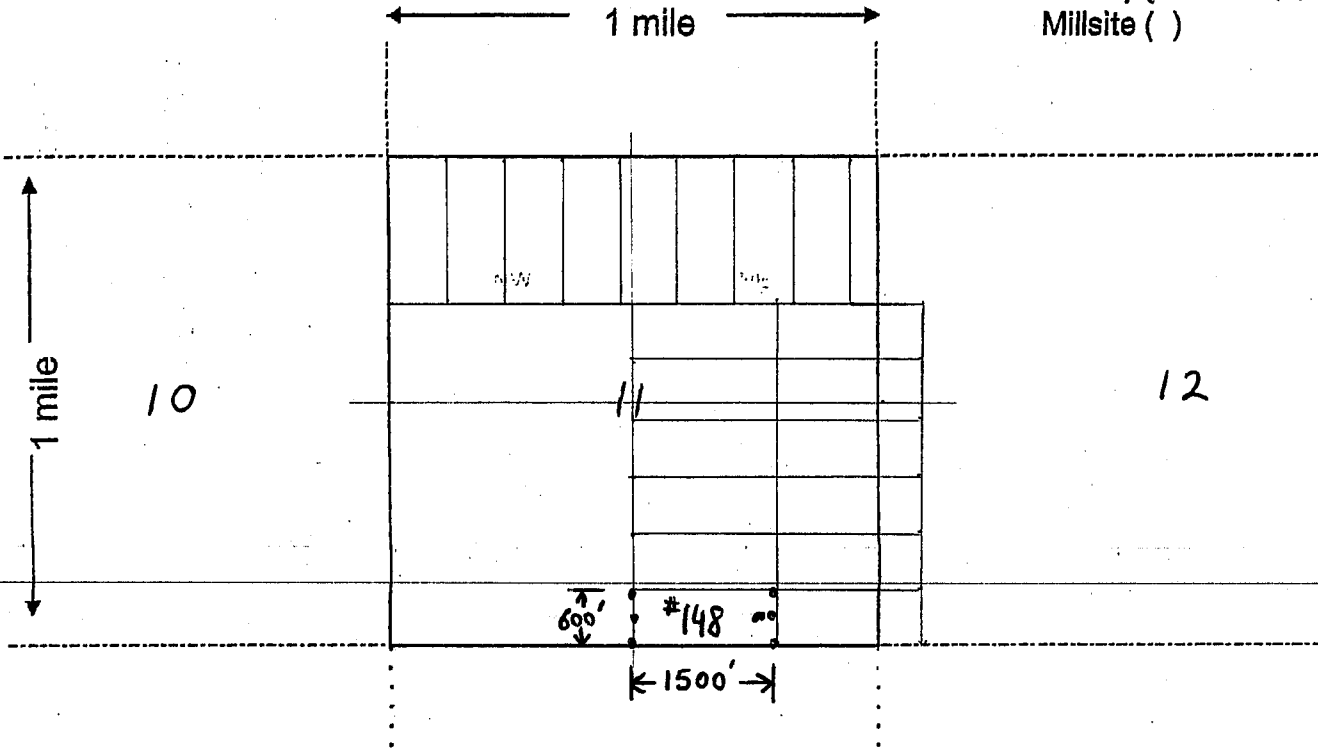
Signature(s) Nicholas Barr

(Agent for Pershing Resources) Form MCF100

AMC 951376

**MINING CLAIM MAP**

Lode (X) Placer ( )  
Millsite ( )



Scale: 1" = 2000 feet



1. The above map depicts the EN # 148 mining claim, which is located in Section (s) 11, Township 20 N, Range 15 W, Gila and Salt River Base and Meridian, Mohave County, Arizona. Total claim acreage is 20 acres
2. The type of corner and location monuments used are as follows: 2" x 2" x 4 ft wood posts
3. The bearings and distances in degrees and feet between claim corners and to a public land survey monument are as depicted on the map.
4. If the claim is a placer or millsite claim with exterior limits conforming to legal subdivisions of the public survey, provide a legal description of the claim \_\_\_\_\_

Form MCF100a  
Revised July 2014

FEE# 2018019641

OFFICIAL RECORDS OF MOHAVE COUNTY KRISTI BLAIR, COUNTY RECORDER



04/19/2018 03:36 PM Fee: \$10.00

PAGE: 1 of 2

After recording return to: Pershing Resources 200 S. Virginia St. 8th Floor Reno, Nevada 89501

LOCATION NOTICE FOR LODE MINING CLAIM

Amendment BLM Serial #

NOTICE IS HEREBY GIVEN that the EN# 150 lode mining claim has been located

by Nicholas BARR (agent) whose current mailing address is 5441 E. Mining Camp St.

Apache Junction, AZ 85119

The general course of this claim is N-S and it is situated in Mohave County, Arizona. This claim is 1500 feet in length and 600 feet in width.

20 Total Claim Acreage. This claim runs from the location monument on which this location notice is posted on the centerline of the claim approximately 20 feet in a N direction to the N end line and 1480 feet in a S direction to the S end line. This claim is marked by six monuments, one at each corner and one at the center of each end line of the claim.

The location monument on which this notice is posted is situated within Section 7, Township 20 N, Range 14 W, Gila Salt River Base and Meridian, Arizona and this claim encompasses portions of the following quarter section(s), section(s), Township(s) and Range(s)

NW 1/4 Section 7 T. 20N, R. 14 W.

Gila Salt River Base and Meridian, Arizona.

The locality of this claim with reference to some natural object or permanent monument and additional information (if any) concerning its locality are as follows: The NW CORNER of claim is located 300 ft. EAST and 6000 ft. SOUTH of survey monument located at NE Corner Section 1, T. 20N, R. 15 W. GSRB & M. The above information is shown on the attached map.

DATED AND POSTED on the ground this 24 day of March, 2018.

LOCATOR(s) AGENT

Print Name(s) Nicholas Barr

Signature(s) Nicholas Barr

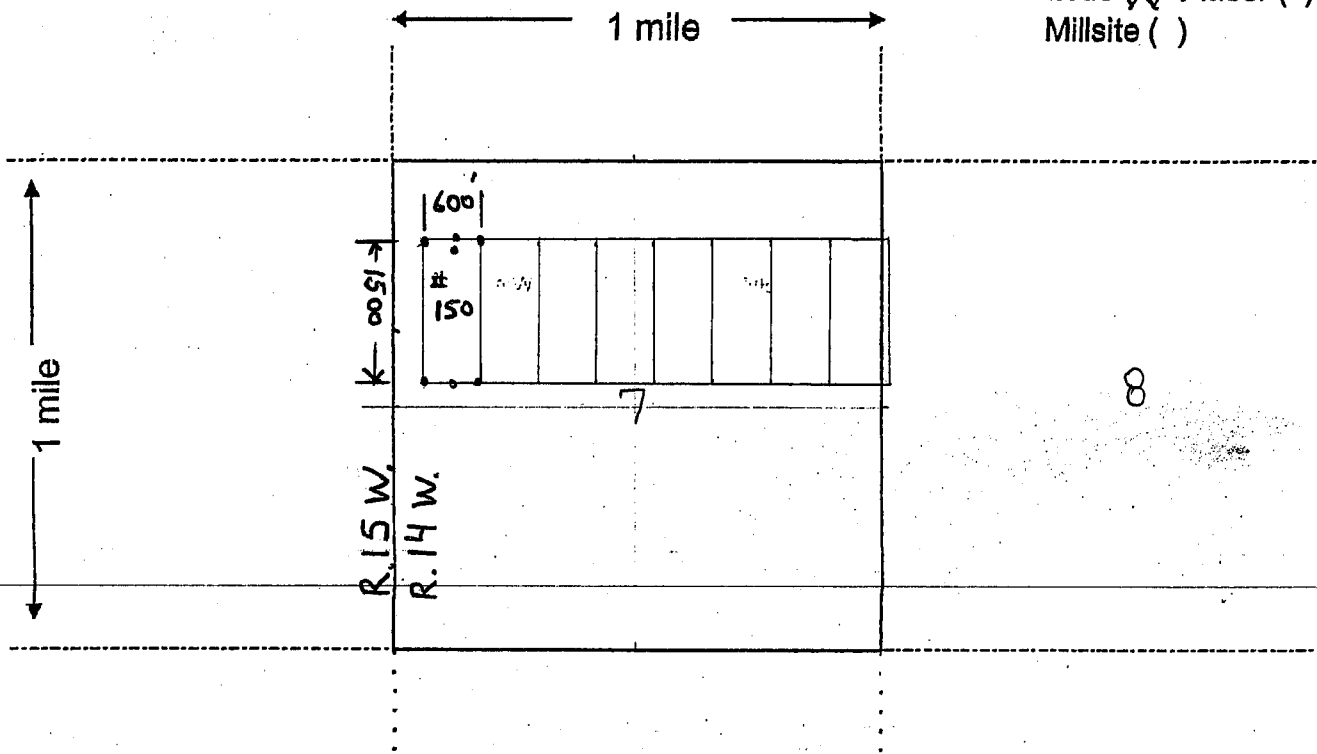
(Agent for Pershing Resources) Form MCF100

RECEIVED BLM AZ STATE OFFICE 2018 JUN 21 P 12:34 PHOENIX, ARIZONA BLM Date Stamp

AN0451377

**MINING CLAIM MAP**

Lode (X) Placer ( )  
Millsite ( )



Scale: 1" = 2000 feet



- The above map depicts the EN # 150 mining claim, which is located in Section (s) 7, Township 20 N, Range 14 W, Gila and Salt River Base and Meridian, Mohave County, Arizona. Total claim acreage is 20 acres
- The type of corner and location monuments used are as follows: 2" x 2" x 4 ft wood posts
- The bearings and distances in degrees and feet between claim corners and to a public land survey monument are as depicted on the map.
- If the claim is a placer or millsite claim with exterior limits conforming to legal subdivisions of the public survey, provide a legal description of the claim \_\_\_\_\_

Form MCF100a  
Revised July 2014

2

After recording return to:  
Pershing Resources  
200 S. Virginia St. 8th Floor  
Reno, Nevada 89501

FEE# 2018019642

OFFICIAL RECORDS  
OF MOHAVE COUNTY  
KRISTI BLAIR,  
COUNTY RECORDER



04/19/2018 03:36 PM Fee: \$10.00

PAGE: 1 of 2

LOCATION NOTICE FOR LODE MINING CLAIM

Amendment BLM Serial # \_\_\_\_\_

NOTICE IS HEREBY GIVEN that the \_\_\_\_\_

EN# 151 lode mining claim has been located  
by Nicholas BARR (agent) whose current mailing  
address is 5441 E. Mining Camp St.  
Apache Junction, AZ 85119

RECEIVED  
BLM AZ STATE OFFICE  
2018 JUN 21 P 12:30  
PHOENIX, ARIZONA  
BLM  
Date  
Stamp

The general course of this claim is N-S and it is situated in Mohave  
County, Arizona. This claim is 1500 feet in length and 600 feet in width.

20 Total Claim Acreage. This claim runs from the location monument on which this location notice  
is posted on the centerline of the claim approximately 20 feet in a N direction to the N  
end line and 1480 feet in a S direction to the S end line. This claim is marked by six  
monuments, one at each corner and one at the center of each end line of the claim.

The location monument on which this notice is posted is situated within Section 7, Township 20  
N, Range 14 W, Gila Salt River Base and Meridian, Arizona and this claim encompasses portions  
of the following quarter section(s), section(s), Township(s) and Range(s) \_\_\_\_\_

NW 1/4 Section 7 T. 20N. R. 14 W.  
Gila Salt River Base and Meridian, Arizona.

The locality of this claim with reference to some natural object or permanent monument and additional information  
(if any) concerning its locality are as follows: The NW CORNER of claim is located  
900 ft. EAST and 6000 ft. SOUTH of survey monument located at  
NE Corner Section 1, T. 20N., R. 15W., GSRB & M The above information is shown on the attached map.

DATED AND POSTED on the ground this 24 day of March, 2018.

LOCATOR(s)  AGENT

Print Name(s) Nicholas Barr

Signature(s) Nicholas Barr

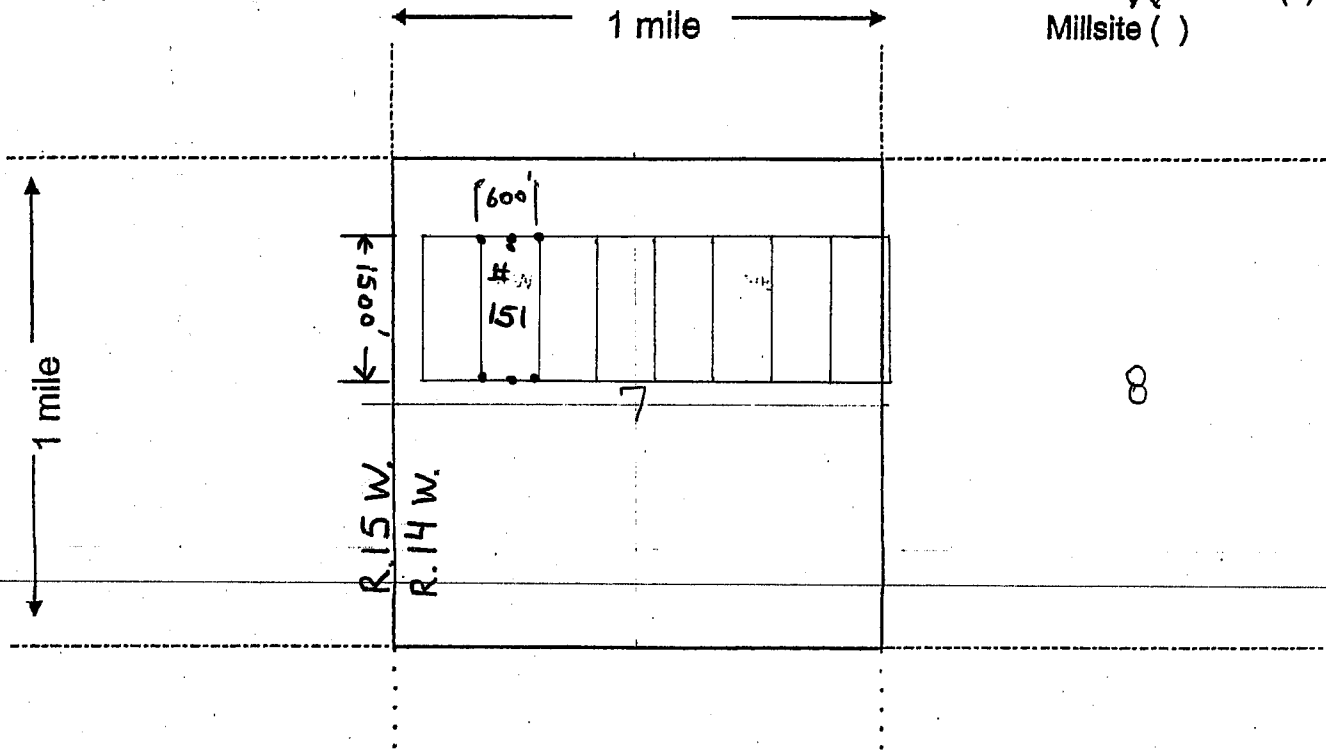
(Agent for Pershing Resources) Form MCF100

ANCH51378



**MINING CLAIM MAP**

Lode (X) Placer ( )  
Millsite ( )



Scale: 1" = 2000 feet



1. The above map depicts the EN # 151 mining claim, which is located in Section (s) 7, Township 20 N, Range 14 W, Gila and Salt River Base and Meridian, Mohave County, Arizona. Total claim acreage is 20 acres

2. The type of corner and location monuments used are as follows: 2" x 2" x 4 ft wood posts

3. The bearings and distances in degrees and feet between claim corners and to a public land survey monument are as depicted on the map.

4. If the claim is a placer or millsite claim with exterior limits conforming to legal subdivisions of the public survey, provide a legal description of the claim \_\_\_\_\_

Form MCF100a  
Revised July 2014

FEE# 2018019643

OFFICIAL RECORDS OF MOHAVE COUNTY KRISTI BLAIR, COUNTY RECORDER



04/19/2018 03:36 PM Fee: \$10.00

PAGE: 1 of 2

2

After recording return to: Pershing Resources 200 S. Virginia St. 8th Floor Reno, Nevada 89501

LOCATION NOTICE FOR LODE MINING CLAIM

Amendment BLM Serial #

NOTICE IS HEREBY GIVEN that the EN# 152 lode mining claim has been located by Nicholas BARR (agent) whose current mailing address is 5441 E. Mining Camp St. Apache Junction, AZ 85119

RECEIVED BLM AZ STATE OFFICE JUN 21 12:34 PHOENIX, ARIZONA BLM Date Stamp

The general course of this claim is N-S and it is situated in Mohave County, Arizona. This claim is 1500 feet in length and 600 feet in width.

20 Total Claim Acreage. This claim runs from the location monument on which this location notice is posted on the centerline of the claim approximately 20 feet in a N direction to the N end line and 1480 feet in a S direction to the S end line. This claim is marked by six monuments, one at each corner and one at the center of each end line of the claim.

The location monument on which this notice is posted is situated within Section 7, Township 20 N, Range 14 W, Gila Salt River Base and Meridian, Arizona and this claim encompasses portions of the following quarter section(s), section(s), Township(s) and Range(s) NW 1/4 Section 7 T. 20N, R. 14 W.

Gila Salt River Base and Meridian, Arizona.

The locality of this claim with reference to some natural object or permanent monument and additional information (if any) concerning its locality are as follows: The NW CORNER of claim is located 1500 ft. EAST and 6000 ft. SOUTH of survey monument located at NE Corner Section 1, T. 20N, R. 15W, GSRB & M. The above information is shown on the attached map.

DATED AND POSTED on the ground this 24 day of March, 2018.

LOCATOR(s) AGENT

Print Name(s) Nicholas Barr

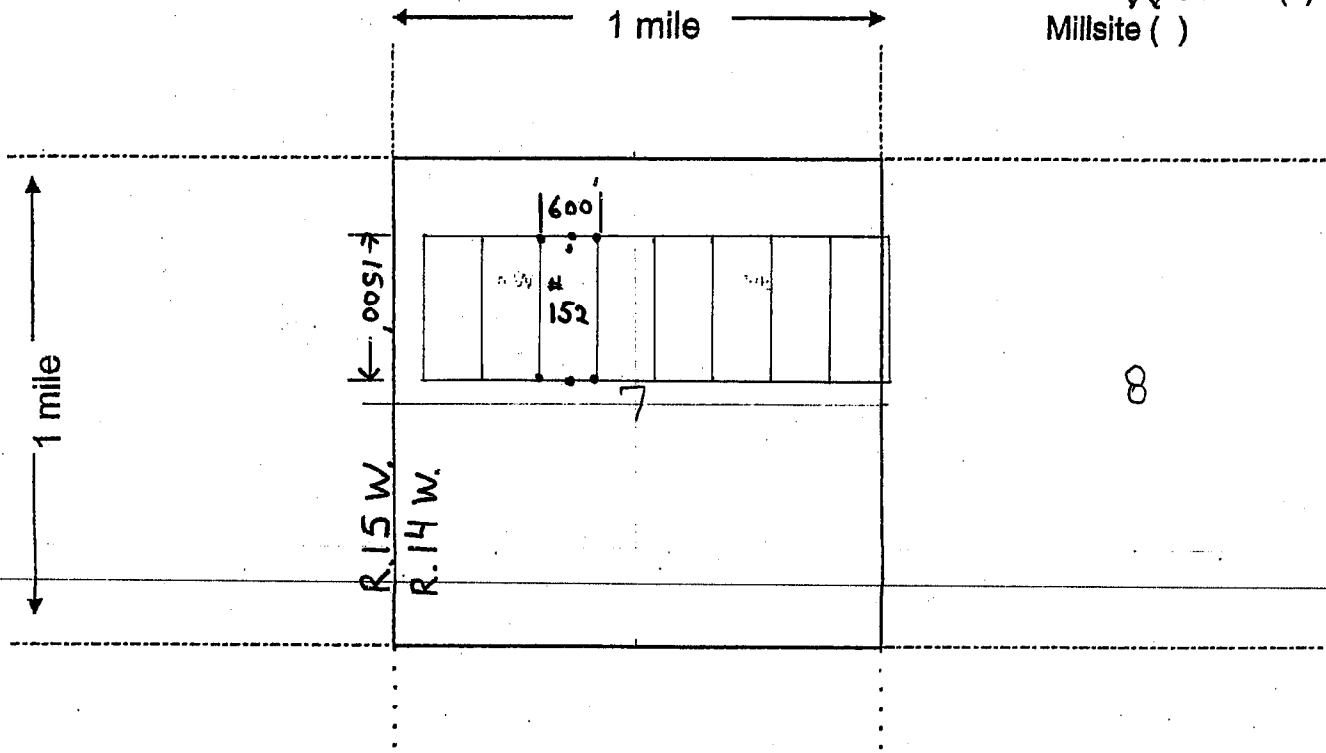
Signature(s) Nicholas Barr

(Agent for Pershing Resources) Form MCF100

ANCO 451379

**MINING CLAIM MAP**

Lode (X) Placer ( )  
Millsite ( )



Scale: 1" = 2000 feet



1. The above map depicts the EN # 152 mining claim, which is located in Section (s) 7, Township 20 N, Range 14 W, Gila and Salt River Base and Meridian, Mohave County, Arizona. Total claim acreage is 20 acres
2. The type of corner and location monuments used are as follows: 2" x 2" x 4ft wood posts
3. The bearings and distances in degrees and feet between claim corners and to a public land survey monument are as depicted on the map.
4. If the claim is a placer or millsite claim with exterior limits conforming to legal subdivisions of the public survey, provide a legal description of the claim \_\_\_\_\_

Form MCF100a  
Revised July 2014

2

FEE# 2018019644

After recording return to:  
Pershing Resources  
200 S. Virginia St. 8th Floor  
Reno, Nevada 89501

OFFICIAL RECORDS  
OF MOHAVE COUNTY  
KRISTI BLAIR,  
COUNTY RECORDER



04/19/2018 03:36 PM Fee: \$10.00

PAGE: 1 of 2

LOCATION NOTICE FOR LODE MINING CLAIM

Amendment BLM Serial # \_\_\_\_\_

NOTICE IS HEREBY GIVEN that the \_\_\_\_\_

EN# 153 lode mining claim has been located

by Nicholas BARR (agent) whose current mailing  
address is 5441 E. Mining Camp St.

Apache Junction, AZ 85119.

The general course of this claim is N-S and it is situated in Mohave

County, Arizona. This claim is 1500 feet in length and 600 feet in width.

20 Total Claim Acreage. This claim runs from the location monument on which this location notice  
is posted on the centerline of the claim approximately 20 feet in a N direction to the N  
end line and 1480 feet in a S direction to the S end line. This claim is marked by six  
monuments, one at each corner and one at the center of each end line of the claim.

The location monument on which this notice is posted is situated within Section 7, Township 20  
N, Range 14 W, Gila Salt River Base and Meridian, Arizona and this claim encompasses portions  
of the following quarter section(s), section(s), Township(s) and Range(s) \_\_\_\_\_

NW & NE 1/4 Section 7 T. 20N. R. 14 W.  
Gila Salt River Base and Meridian, Arizona.

The locality of this claim with reference to some natural object or permanent monument and additional information  
(if any) concerning its locality are as follows: The NW CORNER of claim is located  
2100 ft. EAST and 6000 ft. SOUTH of survey monument located at  
NE Corner Section 1, T. 20N., R. 15 W., GSRB & M. The above information is shown on the attached map.

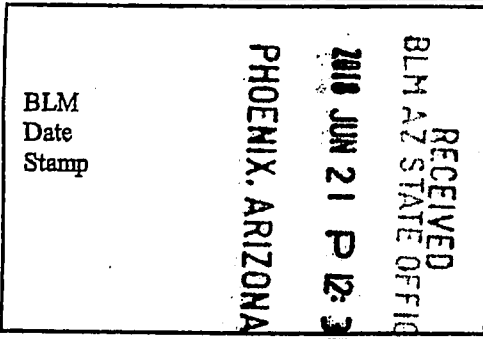
DATED AND POSTED on the ground this 24 day of March, 2018.

LOCATOR(s)  AGENT

Print Name(s) Nicholas Barr

Signature(s) Nicholas Barr

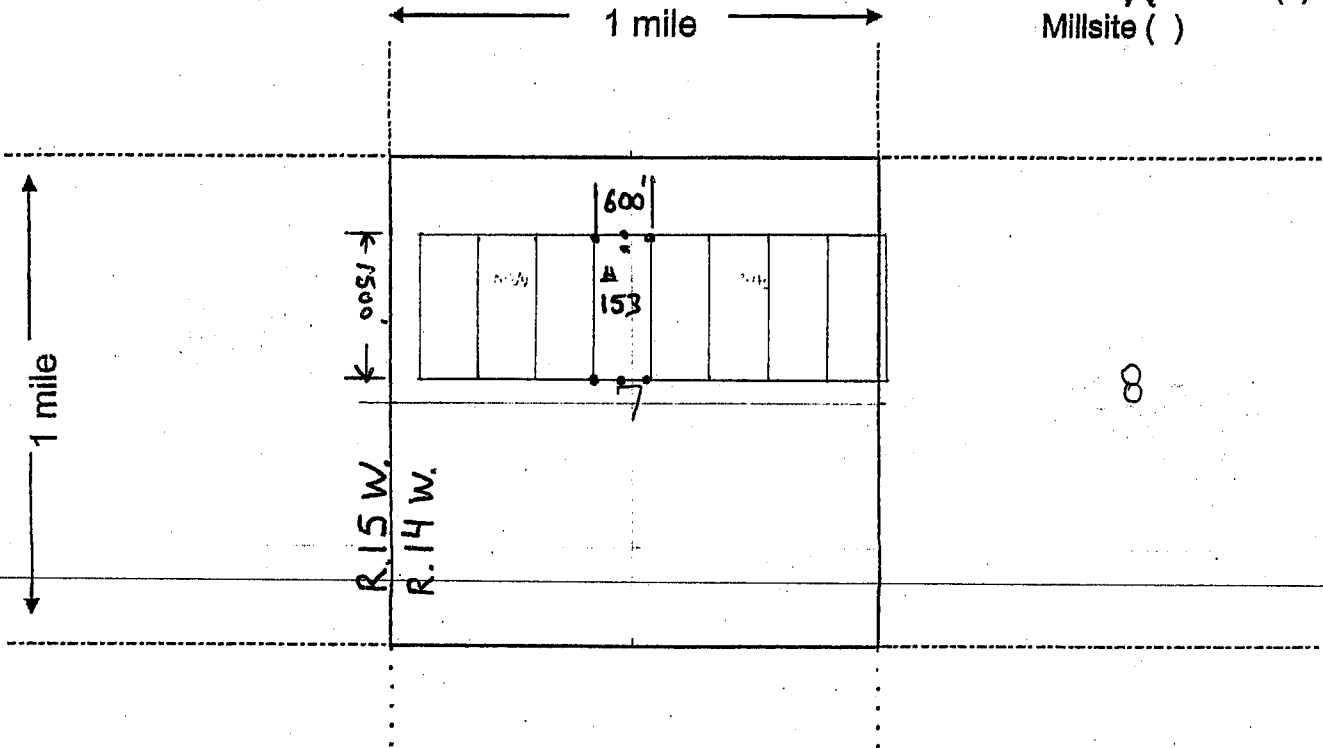
(Agent for Pershing Resources) Form MCF100



ALMO 451380

**MINING CLAIM MAP**

Lode (X) Placer ( )  
Millsite ( )



Scale: 1" = 2000 feet



- The above map depicts the EN # 153 mining claim, which is located in Section (s) 7, Township 20 N, Range 14 W, Gila and Salt River Base and Meridian, Mohave County, Arizona. Total claim acreage is 20 acres
- The type of corner and location monuments used are as follows: 2" x 2" x 4 ft wood posts
- The bearings and distances in degrees and feet between claim corners and to a public land survey monument are as depicted on the map.
- If the claim is a placer or millsite claim with exterior limits conforming to legal subdivisions of the public survey, provide a legal description of the claim \_\_\_\_\_

Form MCF100a  
Revised July 2014

2

After recording return to:  
Pershing Resources  
200 S. Virginia St. 8th Floor  
Reno, Nevada 89501

FEE# 2018019645

OFFICIAL RECORDS  
OF MOHAVE COUNTY  
KRISTI BLAIR,  
COUNTY RECORDER



04/19/2018 03:36 PM Fee: \$10.00

PAGE: 1 of 2

LOCATION NOTICE FOR LODE MINING CLAIM

Amendment BLM Serial # \_\_\_\_\_

NOTICE IS HEREBY GIVEN that the \_\_\_\_\_

EN# 154 lode mining claim has been located  
by Nicholas BARR (agent) whose current mailing  
address is 5441 E. Mining Camp St.  
Apache Junction, AZ 85119

RECEIVED  
BLM AZ STATE OFFICE  
2018 JUN 21 P 12:34  
PHOENIX, ARIZONA  
BLM  
Date  
Stamp

The general course of this claim is N-S and it is situated in Mohave  
County, Arizona. This claim is 1500 feet in length and 600 feet in width.

20 Total Claim Acreage. This claim runs from the location monument on which this location notice  
is posted on the centerline of the claim approximately 20 feet in a N direction to the N  
end line and 1480 feet in a S direction to the S end line. This claim is marked by six  
monuments, one at each corner and one at the center of each end line of the claim.

The location monument on which this notice is posted is situated within Section 7, Township 20  
N, Range 14 W, Gila Salt River Base and Meridian, Arizona and this claim encompasses portions  
of the following quarter section(s), section(s), Township(s) and Range(s) \_\_\_\_\_

NE 1/4 Section 7 T. 20N, R. 14 W.

Gila Salt River Base and Meridian, Arizona.

The locality of this claim with reference to some natural object or permanent monument and additional information  
(if any) concerning its locality are as follows: The NW CORNER of claim is located  
2700 ft. EAST and 6000 ft. SOUTH of survey monument located at  
NE Corner Section 1, T. 20N, R. 15W, GSRB & M The above information is shown on the attached map.

DATED AND POSTED on the ground this 24 day of March, 2018.

LOCATOR(s)  AGENT

Print Name(s) Nicholas Barr

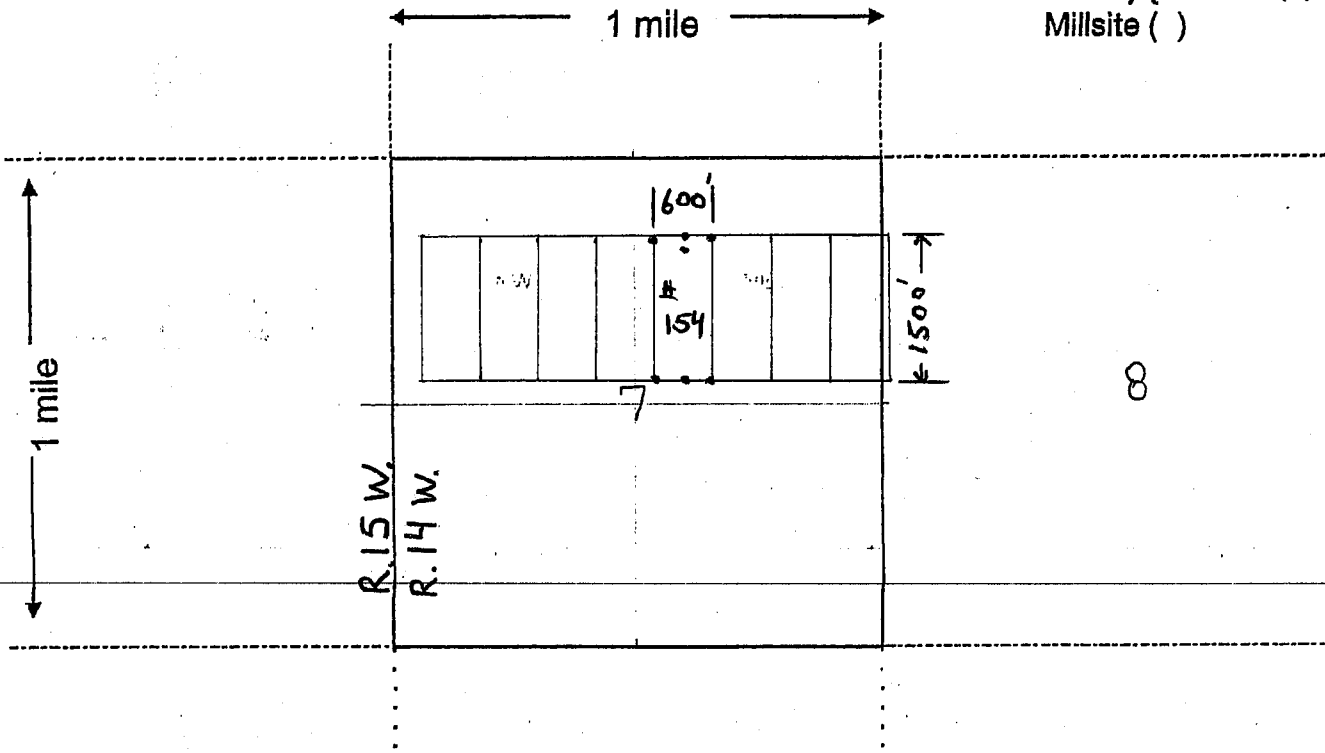
Signature(s) Nicholas Barr

(Agent for Pershing Resources) Form MCF100

ANCH51381

**MINING CLAIM MAP**

Lode (X) Placer ( )  
Millsite ( )



Scale: 1" = 2000 feet



1. The above map depicts the EN # 154 mining claim, which is located in Section (s) 7, Township 20 N, Range 14 W, Gila and Salt River Base and Meridian, Mohave County, Arizona. Total claim acreage is 20 acres

2. The type of corner and location monuments used are as follows: 2" x 2" x 4 ft wood posts

3. The bearings and distances in degrees and feet between claim corners and to a public land survey monument are as depicted on the map.

4. If the claim is a placer or millsite claim with exterior limits conforming to legal subdivisions of the public survey, provide a legal description of the claim \_\_\_\_\_

Form MCF100a  
Revised July 2014



FEE# 2018019646

OFFICIAL RECORDS OF MOHAVE COUNTY KRISTI BLAIR, COUNTY RECORDER



04/19/2018 03:36 PM Fee: \$10.00

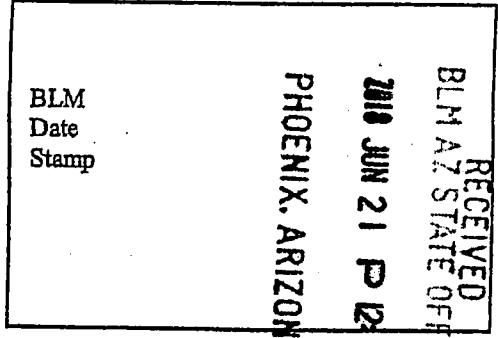
PAGE: 1 of 2

After recording return to: Pershing Resources 200 S. Virginia St. 8th Floor Reno, Nevada 89501

LOCATION NOTICE FOR LODE MINING CLAIM

Amendment BLM Serial #

NOTICE IS HEREBY GIVEN that the EN# 155 lode mining claim has been located by Nicholas BARR (agent) whose current mailing address is 5441 E. Mining Camp St. Apache Junction, AZ 85119



The general course of this claim is N-S and it is situated in Mohave County, Arizona. This claim is 1500 feet in length and 600 feet in width.

20 Total Claim Acreage. This claim runs from the location monument on which this location notice is posted on the centerline of the claim approximately 20 feet in a N direction to the N end line and 1480 feet in a S direction to the S end line. This claim is marked by six monuments, one at each corner and one at the center of each end line of the claim.

The location monument on which this notice is posted is situated within Section 7, Township 20 N, Range 14 W, Gila Salt River Base and Meridian, Arizona and this claim encompasses portions of the following quarter section(s), section(s), Township(s) and Range(s) NE 1/4 Section 7 T. 20N, R. 14 W.

Gila Salt River Base and Meridian, Arizona.

The locality of this claim with reference to some natural object or permanent monument and additional information (if any) concerning its locality are as follows: The NW CORNER of claim is located 3300 ft. EAST and 6000 ft. SOUTH of survey monument located at NE Corner Section 1, T. 20N, R. 15 W. GSRB & M. The above information is shown on the attached map.

DATED AND POSTED on the ground this 24 day of March, 2018.

LOCATOR(s) AGENT

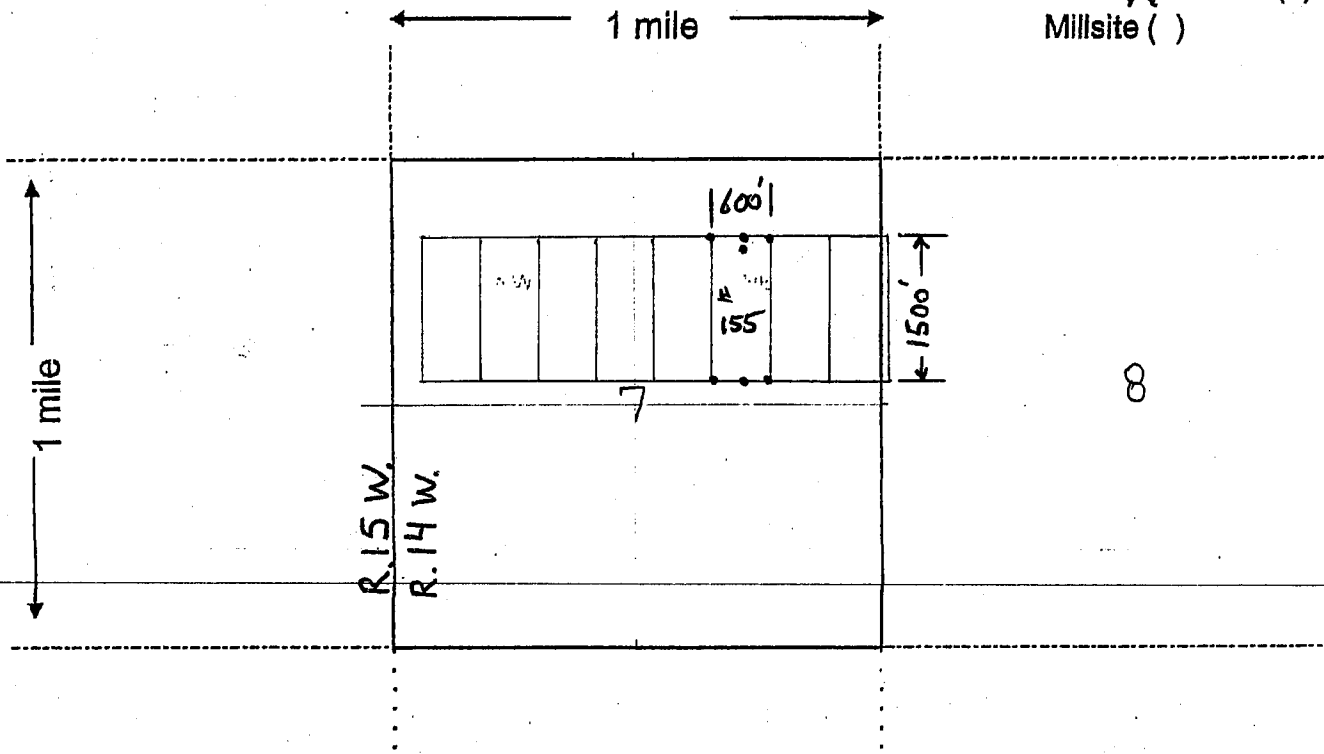
Print Name(s) Nicholas Barr Signature(s) Nicholas Barr

(Agent for Pershing Resources) Form MCF100

AM0451382

**MINING CLAIM MAP**

Lode (X) Placer ( )  
Millsite ( )



Scale: 1" = 2000 feet



1. The above map depicts the EN # 155 mining claim, which is located in Section (s) 7, Township 20 N, Range 14 W, Gila and Salt River Base and Meridian, Mohave County, Arizona. Total claim acreage is 20 acres

2. The type of corner and location monuments used are as follows: 2" x 2" x 4 ft wood posts

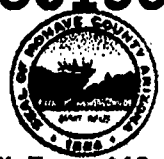
3. The bearings and distances in degrees and feet between claim corners and to a public land survey monument are as depicted on the map.

4. If the claim is a placer or millsite claim with exterior limits conforming to legal subdivisions of the public survey, provide a legal description of the claim \_\_\_\_\_

Form MCF100a  
Revised July 2014

FEE# 2018019647

OFFICIAL RECORDS OF MOHAVE COUNTY KRISTI BLAIR, COUNTY RECORDER



04/19/2018 03:36 PM Fee: \$10.00

PAGE: 1 of 2

After recording return to: Pershing Resources 200 S. Virginia St. 8th Floor Reno, Nevada 89501

LOCATION NOTICE FOR LODE MINING CLAIM

Amendment BLM Serial #

NOTICE IS HEREBY GIVEN that the EN# 156 lode mining claim has been located by Nicholas BARR (agent) whose current mailing address is 5441 E. Mining Camp St. Apache Junction, AZ 85119

RECEIVED BLM AZ STATE OFFICE 2018 JUN 21 P 12:35 PHOENIX, ARIZONA BLM Date Stamp

The general course of this claim is N-S and it is situated in Mohave County, Arizona. This claim is 1500 feet in length and 600 feet in width.

20 Total Claim Acreage. This claim runs from the location monument on which this location notice is posted on the centerline of the claim approximately 20 feet in a N direction to the N end line and 1480 feet in a S direction to the S end line. This claim is marked by six monuments, one at each corner and one at the center of each end line of the claim.

The location monument on which this notice is posted is situated within Section 7, Township 20 N, Range 14 W, Gila Salt River Base and Meridian, Arizona and this claim encompasses portions of the following quarter section(s), section(s), Township(s) and Range(s) NE 1/4 Section 7 T. 20N, R. 14 W.

Gila Salt River Base and Meridian, Arizona.

The locality of this claim with reference to some natural object or permanent monument and additional information (if any) concerning its locality are as follows: The NW CORNER of claim is located 3900 ft. EAST and 6000 ft. SOUTH of survey monument located at NE Corner Section 1, T. 20N, R. 15W, GSRB & M. The above information is shown on the attached map.

DATED AND POSTED on the ground this 24 day of March, 2018.

LOCATOR(s) AGENT

Print Name(s) Nicholas Barr

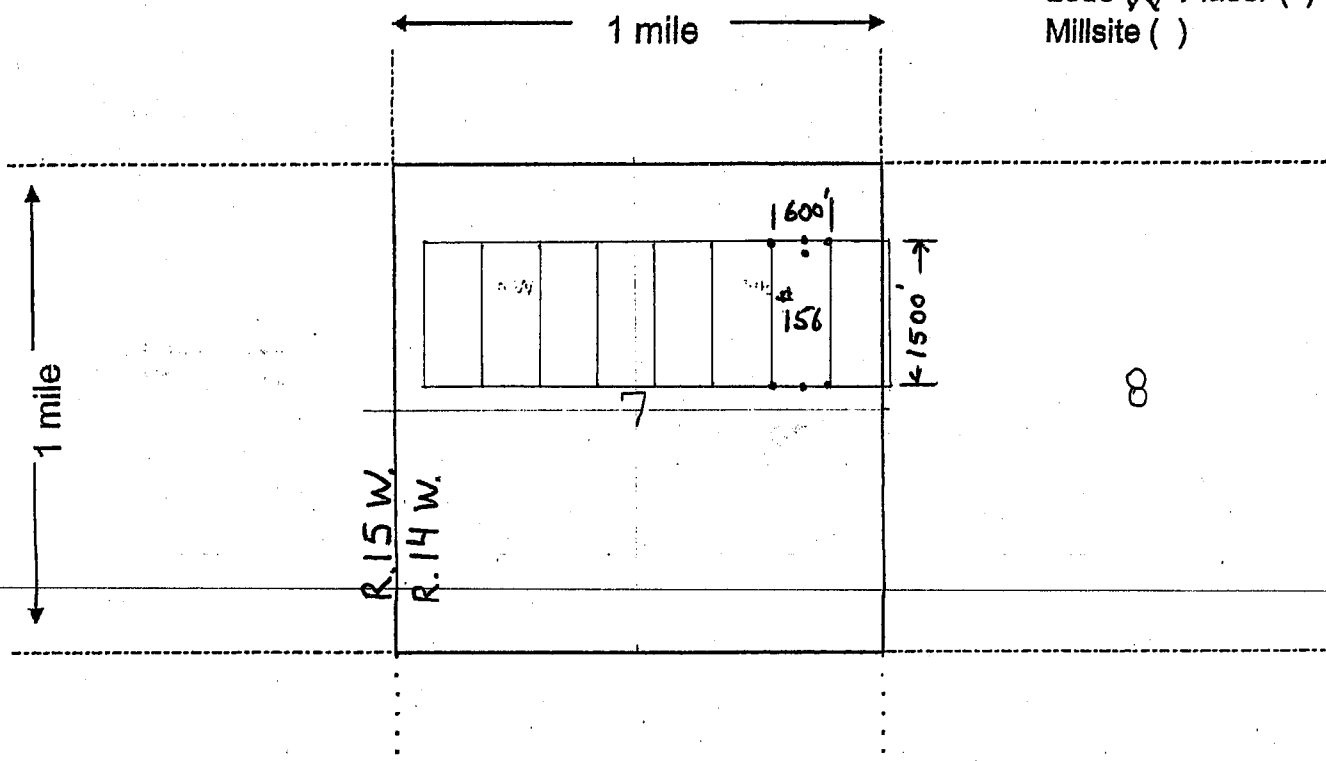
Signature(s) Nicholas Barr

(Agent for Pershing Resources) Form MCF100

ARIZONA 1303

**MINING CLAIM MAP**

Lode (X) Placer ( )  
Millsite ( )



Scale: 1" = 2000 feet



- The above map depicts the EN # 156 mining claim, which is located in Section (s) 7, Township 20 N, Range 14 W, Gila and Salt River Base and Meridian, Mohave County, Arizona. Total claim acreage is 20 acres
- The type of corner and location monuments used are as follows: 2" x 2" x 4 ft wood posts
- The bearings and distances in degrees and feet between claim corners and to a public land survey monument are as depicted on the map.
- If the claim is a placer or millsite claim with exterior limits conforming to legal subdivisions of the public survey, provide a legal description of the claim \_\_\_\_\_

Form MCF100a  
Revised July 2014

2

After recording return to:  
Pershing Resources  
200 S. Virginia St. 8th Floor  
Reno, Nevada 89501

FEE# 2018019648

OFFICIAL RECORDS  
OF MOHAVE COUNTY  
KRISTI BLAIR,  
COUNTY RECORDER



04/19/2018 03:36 PM Fee: \$10.00

PAGE: 1 of 2

LOCATION NOTICE FOR LODE MINING CLAIM

Amendment BLM Serial # \_\_\_\_\_

NOTICE IS HEREBY GIVEN that the \_\_\_\_\_

EN# 157 lode mining claim has been located

by Nicholas BARR (agent) whose current mailing  
address is 5441 E. Mining Camp St.

Apache Junction, AZ 85119

The general course of this claim is N-S and it is situated in Mohave

County, Arizona. This claim is 1500 feet in length and 600 feet in width.

20 Total Claim Acreage. This claim runs from the location monument on which this location notice  
is posted on the centerline of the claim approximately 20 feet in a N direction to the N  
end line and 1480 feet in a S direction to the S end line. This claim is marked by six  
monuments, one at each corner and one at the center of each end line of the claim.

The location monument on which this notice is posted is situated within Section 7, Township 20  
N, Range 14 W, Gila Salt River Base and Meridian, Arizona and this claim encompasses portions  
of the following quarter section(s), section(s), Township(s) and Range(s) \_\_\_\_\_

NE 1/4 Section 7 & NW 1/4 Section 8 T. 20N, R. 14 W.

Gila Salt River Base and Meridian, Arizona.

The locality of this claim with reference to some natural object or permanent monument and additional information  
(if any) concerning its locality are as follows: The NW CORNER of claim is located  
4500 ft EAST and 6000 ft SOUTH of survey monument located at  
NE Corner Section 1, T. 20N, R. 15W, GSRB & M The above information is shown on the attached map.

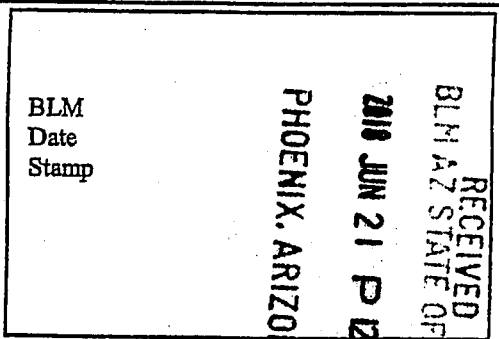
DATED AND POSTED on the ground this 24 day of March, 2018.

LOCATOR(s)  AGENT

Print Name(s) Nicholas Barr

Signature(s) Nicholas Barr

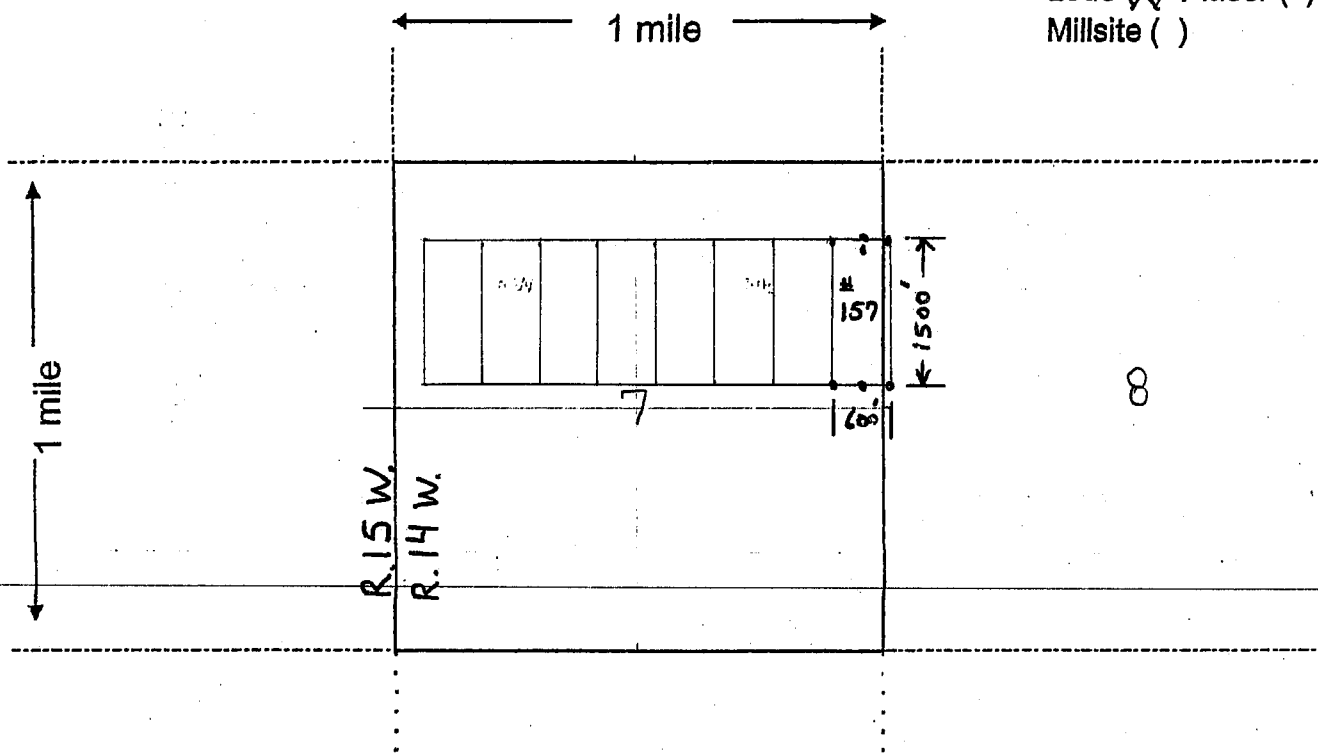
(Agent for Pershing Resources) Form MCF100



440451384

**MINING CLAIM MAP**

Lode (X) Placer ( )  
Millsite ( )



Scale: 1" = 2000 feet



1. The above map depicts the EN # 157 mining claim, which is located in Section (s) 7, Township 20 N, Range 14 W, Gila and Salt River Base and Meridian, Mohave County, Arizona. Total claim acreage is 20 acres

2. The type of corner and location monuments used are as follows: 2" x 2" x 4ft wood posts

3. The bearings and distances in degrees and feet between claim corners and to a public land survey monument are as depicted on the map.

4. If the claim is a placer or millsite claim with exterior limits conforming to legal subdivisions of the public survey, provide a legal description of the claim \_\_\_\_\_

Form MCF100a  
Revised July 2014

Input Parameters for Geographic Report with Land

System Id = CR

Admin State = AZ

Geo State =

Casetype Begins With

Case Disp Txt = AUTHORIZED, CANCELLED, EXPIRED, PENDING, REJECTED, VOID, WITHDRAWN

Mer Twp Rng =

Section =

Mtrs = 14 0200N 0140W 007, 14 0200N 0140W 008, 14 0200N 0140W 999, 14 0200N 0150W 001, 14 0200N 0150W 002, 14 0200N 0150W 011, 14 0200N 0150W 999, 14 0210N 0150W 035, 14 0210N 0150W 036, 14 0210N 0150W 999

Commodity =

Commodity Txt =

Pending Org =

Pend Org Decode =

Total Rows Returned: 20



RUN TIME: 10:33 AM

UNITED STATES DEPARTMENT OF INTERIOR  
BUREAU OF LAND MANAGEMENT  
GEOGRAPHIC REPORT WITH LAND  
Sorted by Serial Number

RUN DATE: 06/28/2018  
Page 1 of 3

Adm State: AZ

Serial Number: AZA 013138PT  
Total Case Acres: 24,649.070

<u>Casetype</u>	<u>Case Disp</u>	14	0200N	0140W	<u>Sect</u>	<u>Sur Typ</u>	<u>Sur Num</u>	<u>Suff</u>	<u>Subdivision</u>	<u>Act Pend</u>
220100	AUTHORIZED				007	ALIQ			NE,E2NW;	

Serial Number: AZA 013138PT  
Total Case Acres: 24,649.070

<u>Casetype</u>	<u>Case Disp</u>	14	0200N	0150W	<u>Sect</u>	<u>Sur Typ</u>	<u>Sur Num</u>	<u>Suff</u>	<u>Subdivision</u>	<u>Act Pend</u>
220100	AUTHORIZED				001	ALIQ			E2SENE,E2NESE;	
					011	ALIQ			1; N2NW,SESW;	

Serial Number: AZA 013138PT  
Total Case Acres: 24,649.070

<u>Casetype</u>	<u>Case Disp</u>	14	0210N	0150W	<u>Sect</u>	<u>Sur Typ</u>	<u>Sur Num</u>	<u>Suff</u>	<u>Subdivision</u>	<u>Act Pend</u>
220100	AUTHORIZED				035	ALIQ			W2SW;	

Serial Number: AZA 018820  
Total Case Acres: 10.000

<u>Casetype</u>	<u>Case Disp</u>	14	0200N	0140W	<u>Sect</u>	<u>Sur Typ</u>	<u>Sur Num</u>	<u>Suff</u>	<u>Subdivision</u>	<u>Act Pend</u>
286203	AUTHORIZED				007	LOTS			4;	

Serial Number: AZA 018820  
Total Case Acres: 10.000

<u>Casetype</u>	<u>Case Disp</u>	14	0200N	0150W	<u>Sect</u>	<u>Sur Typ</u>	<u>Sur Num</u>	<u>Suff</u>	<u>Subdivision</u>	<u>Act Pend</u>
286203	AUTHORIZED				001	ALIQ			SENE,E2SE;	



RUN TIME: 10:33 AM

UNITED STATES DEPARTMENT OF INTERIOR  
BUREAU OF LAND MANAGEMENT  
GEOGRAPHIC REPORT WITH LAND  
Sorted by Serial Number

RUN DATE: 06/28/2018  
Page 3 of 3

Adm State: AZ

281001 AUTHORIZED 007 MNR 1 S2S2S2NE;

Serial Number: AZA 029135  
Total Case Acres: 22.560

<u>Casetype</u>	<u>Case Disp</u>	14	0200N	0140W	<u>Sect</u>	<u>Sur Typ</u>	<u>Sur Num</u>	<u>Suff</u>	<u>Subdivision</u>	<u>Act Pend</u>
281001	AUTHORIZED				007	LOTS MNR		1	2; S2SWNE,S2SENE;	

Serial Number: AZA 029135  
Total Case Acres: 22.560

<u>Casetype</u>	<u>Case Disp</u>	14	0200N	0150W	<u>Sect</u>	<u>Sur Typ</u>	<u>Sur Num</u>	<u>Suff</u>	<u>Subdivision</u>	<u>Act Pend</u>
281001	AUTHORIZED				001	ALIQ LOTS MNR		1	SENE; 1; E2E2SE;	

Serial Number: AZA 033143  
Total Case Acres: 2.400

<u>Casetype</u>	<u>Case Disp</u>	14	0200N	0140W	<u>Sect</u>	<u>Sur Typ</u>	<u>Sur Num</u>	<u>Suff</u>	<u>Subdivision</u>	<u>Act Pend</u>
281001	AUTHORIZED				007	LOTS			4;	

Serial Number: AZA 034169  
Total Case Acres: 1.000

<u>Casetype</u>	<u>Case Disp</u>	14	0200N	0150W	<u>Sect</u>	<u>Sur Typ</u>	<u>Sur Num</u>	<u>Suff</u>	<u>Subdivision</u>	<u>Act Pend</u>
293200	EXPIRED				001	ALIQ			ALL;	

Serial Number: AZAR 0002061  
Total Case Acres: 46.160

<u>Casetype</u>	<u>Case Disp</u>	14	0200N	0140W	<u>Sect</u>	<u>Sur Typ</u>	<u>Sur Num</u>	<u>Suff</u>	<u>Subdivision</u>	<u>Act Pend</u>
285002	AUTHORIZED				007	LOTS			2-4;	Y











Extremely Urgent

Visit [ups.com](http://ups.com)® or call 1-800-PICK-UPS® (1-800-742-5877) to schedule a pickup or find a drop off location near you.

**Domestic Shipments**

- To qualify for the Letter rate, UPS Express Envelopes may only contain correspondence, urgent documents, and/or electronic media, and must weigh 8 oz. or less. UPS Express Envelopes containing items other than those listed or weighing more than 8 oz. will be billed by weight.

**International Shipments**

- The UPS Express Envelope may be used only for documents of no commercial value. Certain countries consider electronic media as documents. Visit [ups.com/imporexport](http://ups.com/imporexport) to verify if your shipment is classified as a document.
- To qualify for the Letter rate, the UPS Express Envelope must weigh 8 oz. or less. UPS Express Envelopes weighing more than 8 oz. will be billed by weight.

**Notes:** Express Envelopes are not recommended for shipments of electronic media containing sensitive personal information or breakable items. Do not send cash or cash equivalent.

## Reusable Express Envelope Legal Size

Reduce paper waste by using this envelope a second time — either to return to sender or to ship to another recipient. See reuse instructions on flap above.

### Decision Green<sup>SM</sup>

Decision Green is UPS's environmental platform, reflecting our pursuit of sustainable business practices worldwide. For example, this envelope is made from 100% recycled material and is both reusable and recyclable.



100% Recycled fiber  
80% Post-Consumer

This envelope is for use with the following services:

- UPS Next Day Air<sup>®</sup>
- UPS Next Business Day<sup>®</sup>
- UPS 2nd Day Air<sup>®</sup>

Do not use this envelope for:

- UPS Ground<sup>®</sup>
- UPS Standard<sup>®</sup>
- Day Select<sup>®</sup>
- Worldwide Expedited<sup>®</sup>

Shipping documents on this side.

RECEIVED  
BLM AZ STATE OFFICE  
2018 JUN 21 P 12:30  
PHOENIX, ARIZONA

JOEL ADAMS  
(646) 397-6859  
THE UPS STORE #2092  
336 BDN AIR SHIPPING CENTER  
GREENBRAE CA 94304

0.7 LBS LTR 1 0  
SHP WT: 1 LBS  
DATE: 19 JUN 2018

SHIP ATTN BUREAU OF LAND MANAGEMENT  
TO: US DEPARTMENT OF THE INTERIOR  
STE 800  
1 N CENTRAL AVE

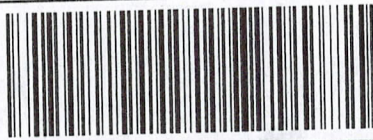
PHOENIX AZ 85004-4427



AZ 850 9-10



UPS 2ND DAY AIR A.M. 2A  
TRACKING #: 1Z 9E4 335 19 5122 4340



BILLING: P/P  
SIGNATURE REQUIRED

ISH 13.00M Z2P 450 99.SU 04/2018

SEE NOTICE ON BACK OF ENVELOPE regarding UPS Terms, and notice of limitation of liability. Where allowed by law, shipper authorizes UPS to act as forwarding agent for export control and customs purposes. If export to the EU, shipper certifies that the commodities, technology or software were exported from the U.S. in accordance with the Export Administration Regulations. Diversion contrary to U.S. law prohibited. 000182 (1/18)

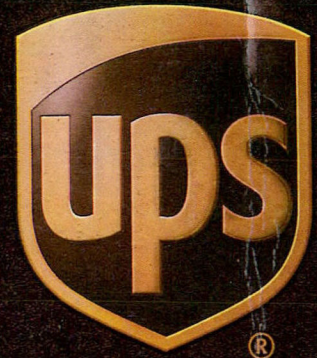


Serving you for more than 100 years  
United Parcel Service.

01019511212 1/15 BL United Parcel Service

International Shipping Notice — Carriage hereunder may be subject to the rules relating to liability and other terms and/or conditions established by the Convention for the Unification of Certain Rules Relating to International Carriage by Air (the "Warsaw Convention") and/or the Convention on the Contract for the International Carriage of Goods by Road (the "CMR Convention"). These commodities, technology or software were exported from the U.S. in accordance with the Export Administration Regulations. Diversion contrary to U.S. law prohibited.





1 N CENTRAL AVE  
STE 800  
PHOENIX AZ 85004-4414  
P: BROWN S: ORANGE  
1004-1060  
129E4395195122 4340  
1030  
US 8501 H1PFS 10 03 2018  
SATURDAY JUN 10 03 2018  
129E4395195122 4340

# Reusable Express Envelope

*Use. Reuse. Then Recycle.*